

4-271 Hinge Pr01 270°

Nested door, Adjustable

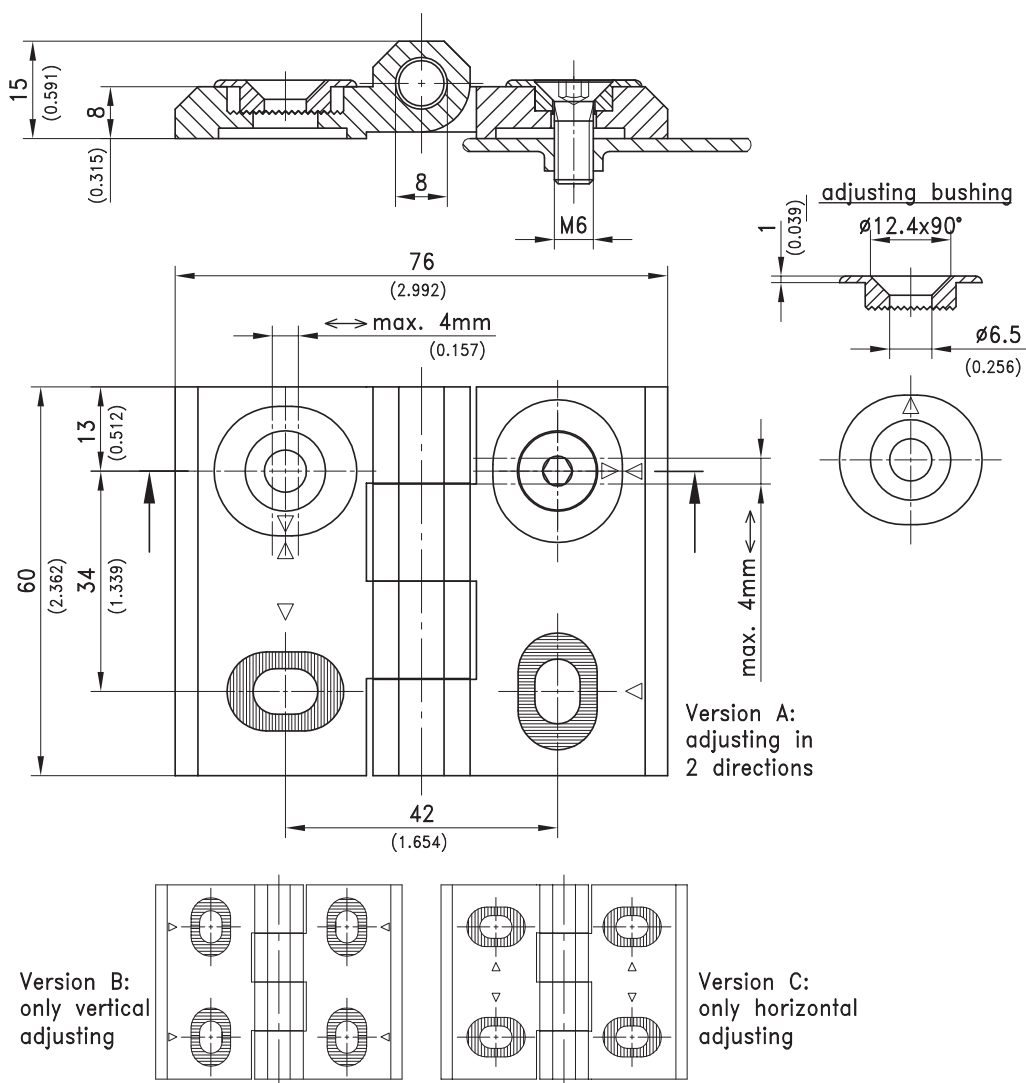
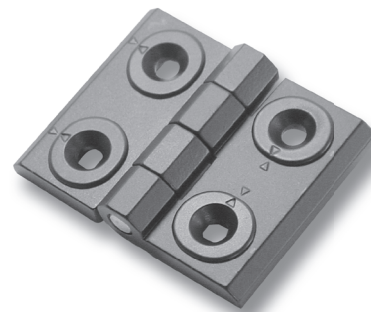


Product Notes:

- Fasten to panel with screws
- RH or LH application
- Teeth on the bushings and oblong holes prevent hinge from slipping. Countersunk heads of the screws have full contact with the adjusting bushings
- Bushings completely cover the oblong holes preventing dust in the adjusting area
- Matching arrow tips mark the 0-position
- Tool-less installation - see Product System 4-271SL

Material:

- **Hinge Leaves and bushings:** Zinc Die, Chrome Plated or Black
- **Pin:** Stainless Steel



Version	Chrome Plated	Black	See Page
A	218-9605	218-9606	
B	218-9603	218-9604	
C	218-9601	218-9602	
Countersunk machine screws			10.23