

# 4-262 Hinge Pr01 270°

Nested door

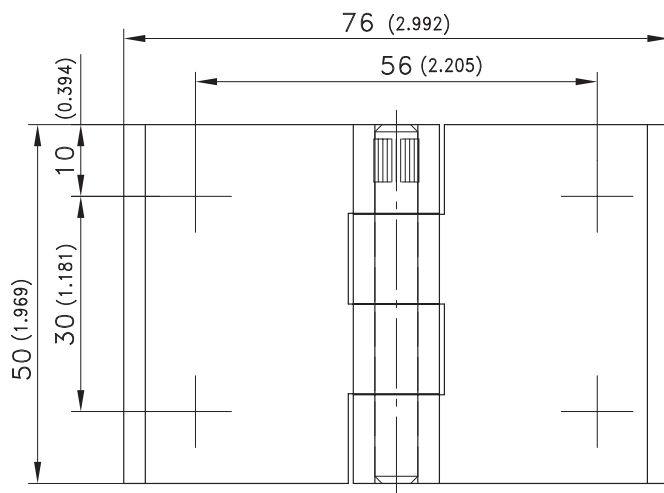
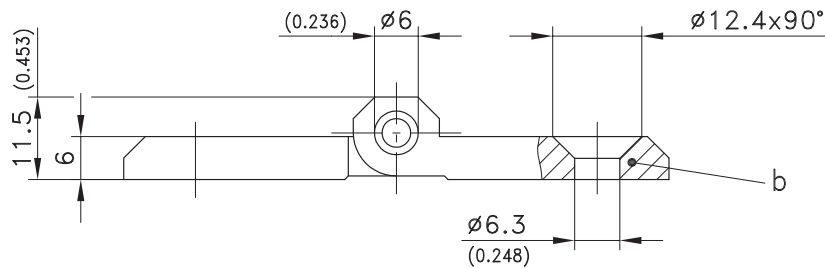
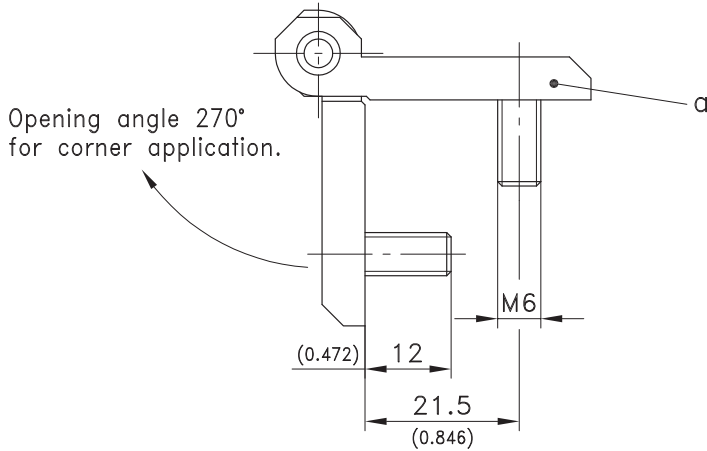
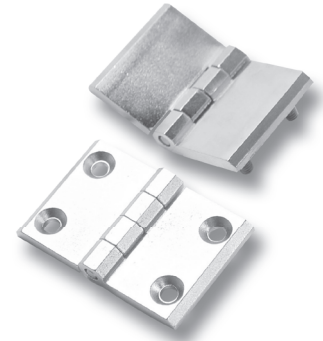


## Product Notes:

- Fasten to panel with screws
- RH or LH application
- Can be used for corner applications
- Combination of screws and studs on request

## Material:

- **Leaves:** Zinc Die, Chrome Plated or Black Coated
- **Pivot pin and molded in screws:** Stainless Steel



Version	Chrome Plated	Black	See Page
a) Hinge with molded in countersunk M6 screws	218-9105	218-9106	
b) Hinge with countersunk holes for M6	218-9107	218-9108	
Countersunk machine screws Zinc Plated			10.23
Version b) in stainless steel			04.69