

4-275SL Hinge Pr01 SNAP-LINE 270°

One leaf tool-less installation, Nested door

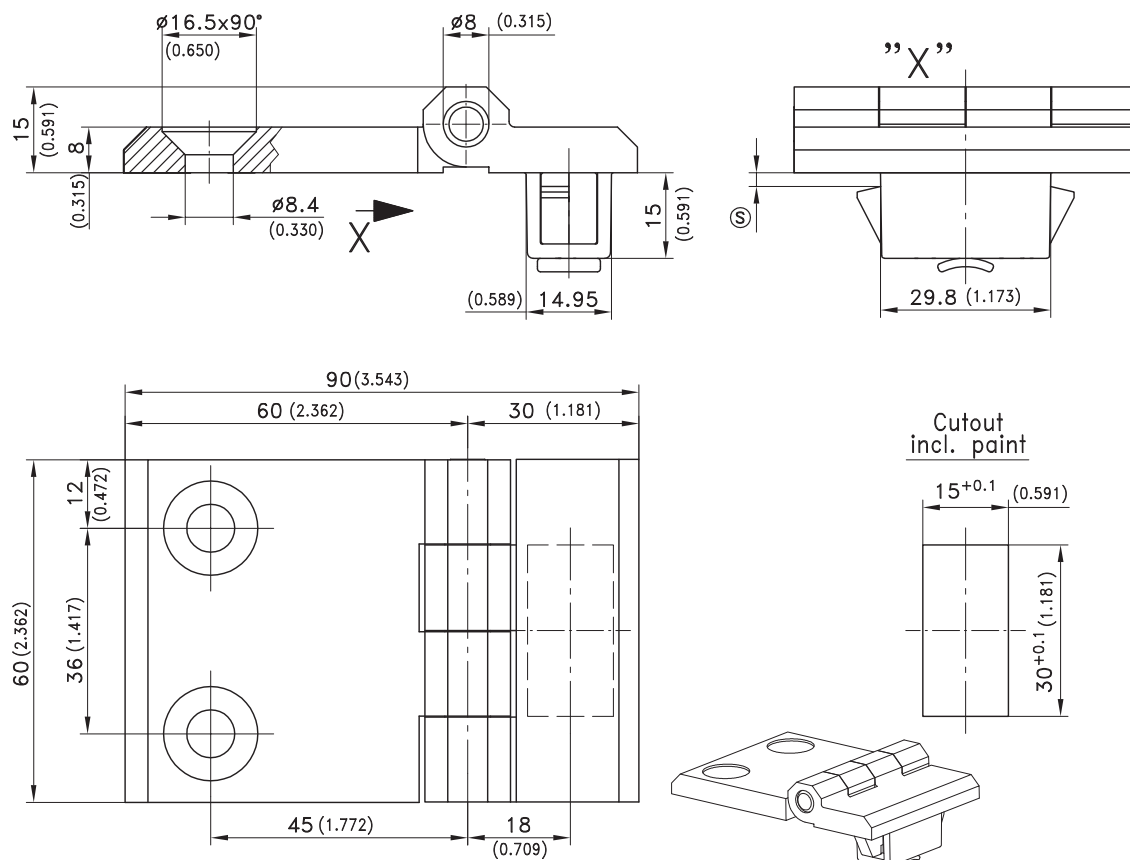


Product Notes:

- Heavy duty
- Short leaf features tool-less installation.
Long leaf fastens to panel with molded in countersunk screws or countersunk holes
- RH and LH application
- 270° opening angle
- Screw-on - see Product System 4-275

Material:

- **Leaves:** Zinc Die, Black
- **Pin:** Stainless Steel
- **Wings:** Sintered Steel



	Clamping Range ^⑤	Part No.	See Page
270° Hinge	1.2 - 1.7	418-9204.00-00015	
	1.7 - 2.2	418-9204.00-00020	
	2.2 - 2.7	418-9204.00-00025	
	2.7 - 3.2	418-9204.00-00030	
	3.2 - 3.7	418-9204.00-00035	
Other ^⑤ dimensions on request			
Countersunk machine screws			10.23
Reinforcement plate for cutout 30x14 and 30x15mm		292-0701.15-01530	10.16
Tool for uninstallation		292-0306.80-02530	10.17
Tool for uninstallation		292-0301.15-00000	10.17