

4-275 Hinge Pr01 270°

Nested door

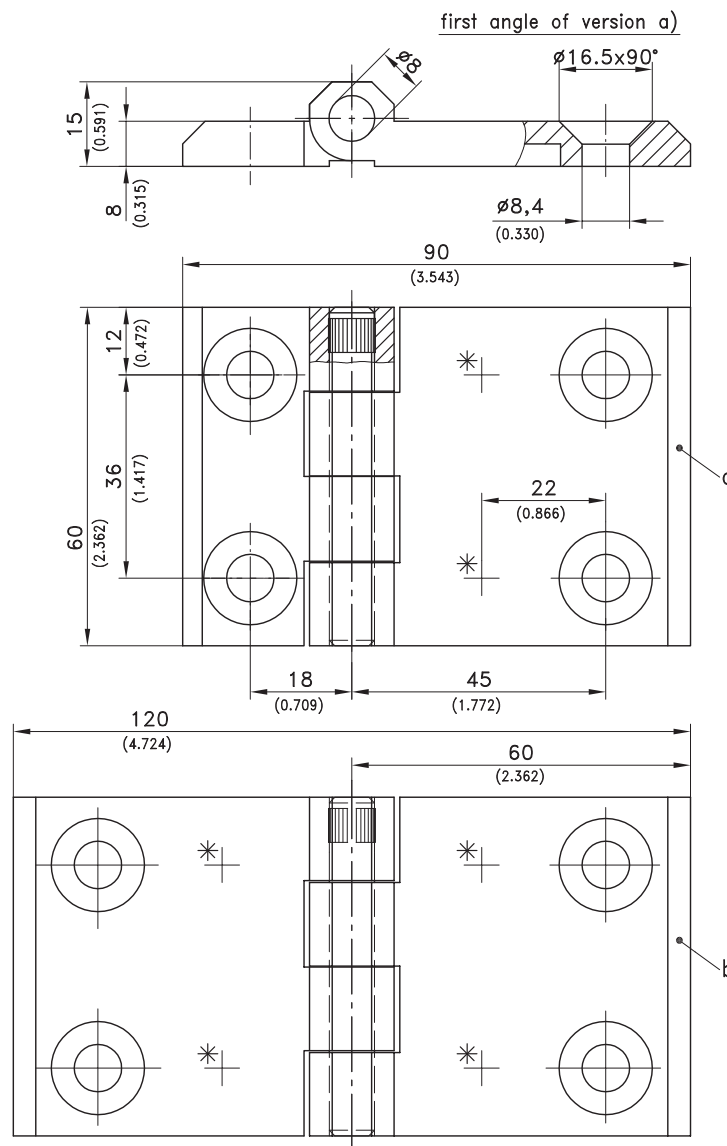


Product Notes:

- Fasten to panel with screws
- RH and LH application
- Back of hinge is marked with * to assist in drilling additional holes
- Tool-less installation - see Product System 4-275SL

Material:

- **Leaves:** Zinc Die, Chrome Plated or Black Coated
- **Pin:** Stainless Steel



Version	Zinc Die, Chrome Plated	Zinc Die, Black
a) Different hinge half lengths	218-9216	218-9218
b) Identical hinge half lengths	218-9217	218-9219