

7-202 Hinge Pr01 270°

Nested door, Stainless Steel

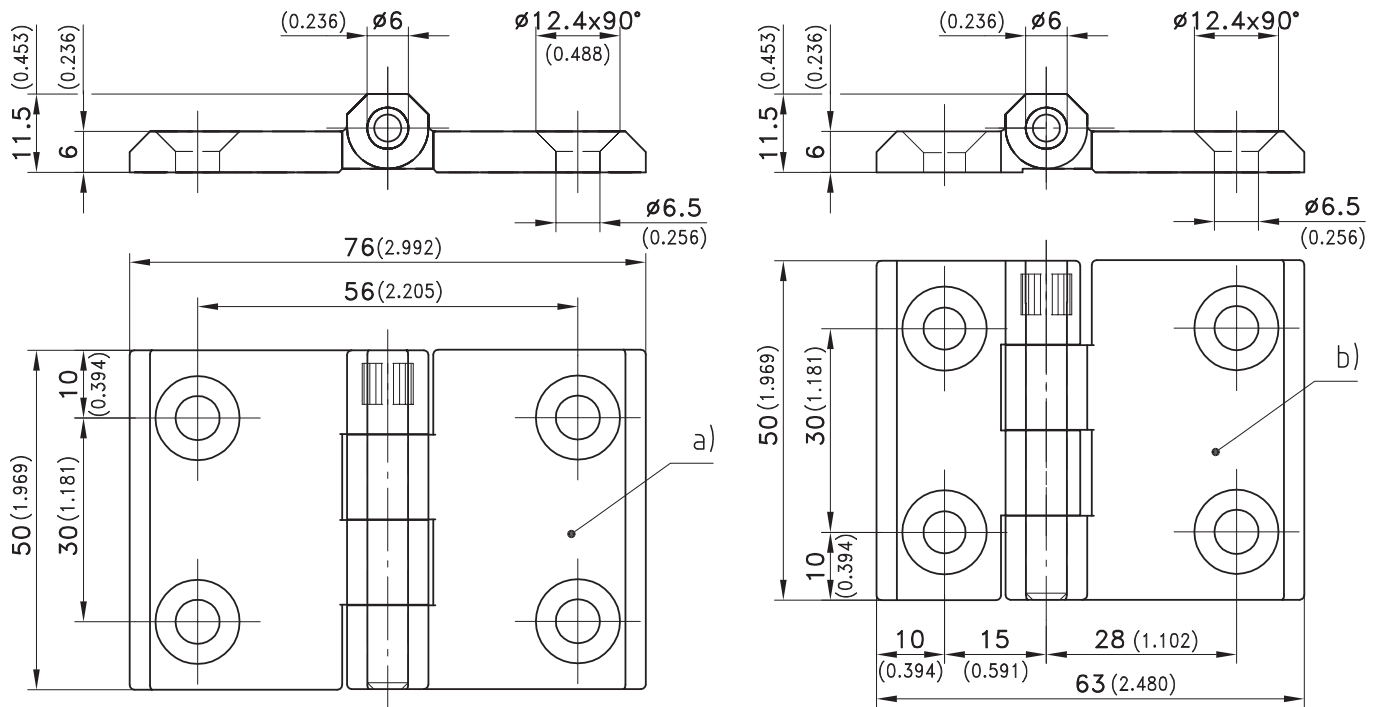
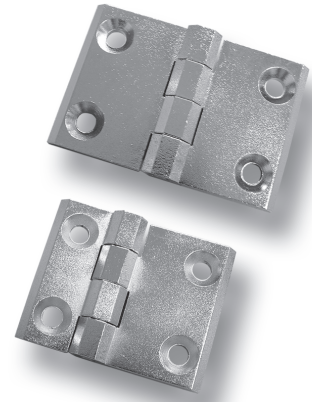


Product Notes:

- Heavy duty
- RH and LH application
- Can be used for corner applications
- 270° opening angle
- Fasten to panel with countersunk M6, DIN7991 screws
- Welded hinge pin
- Vibration resistant
- Protection against vandalism
- Zinc die - see Product System 4-264
- Tool-less installation - see Product System 4-264SL

Material:

- **Hinge parts and pin:** Stainless Steel
AISI 316, Satin polished



Hinge	Part No.
a) 50x76x11.5	218-9306
b) 50x63x11.5	218-9305