

4-264SL Hinge Pr01 SNAP-LINE 180°

One leaf tool-less installation, Nested door

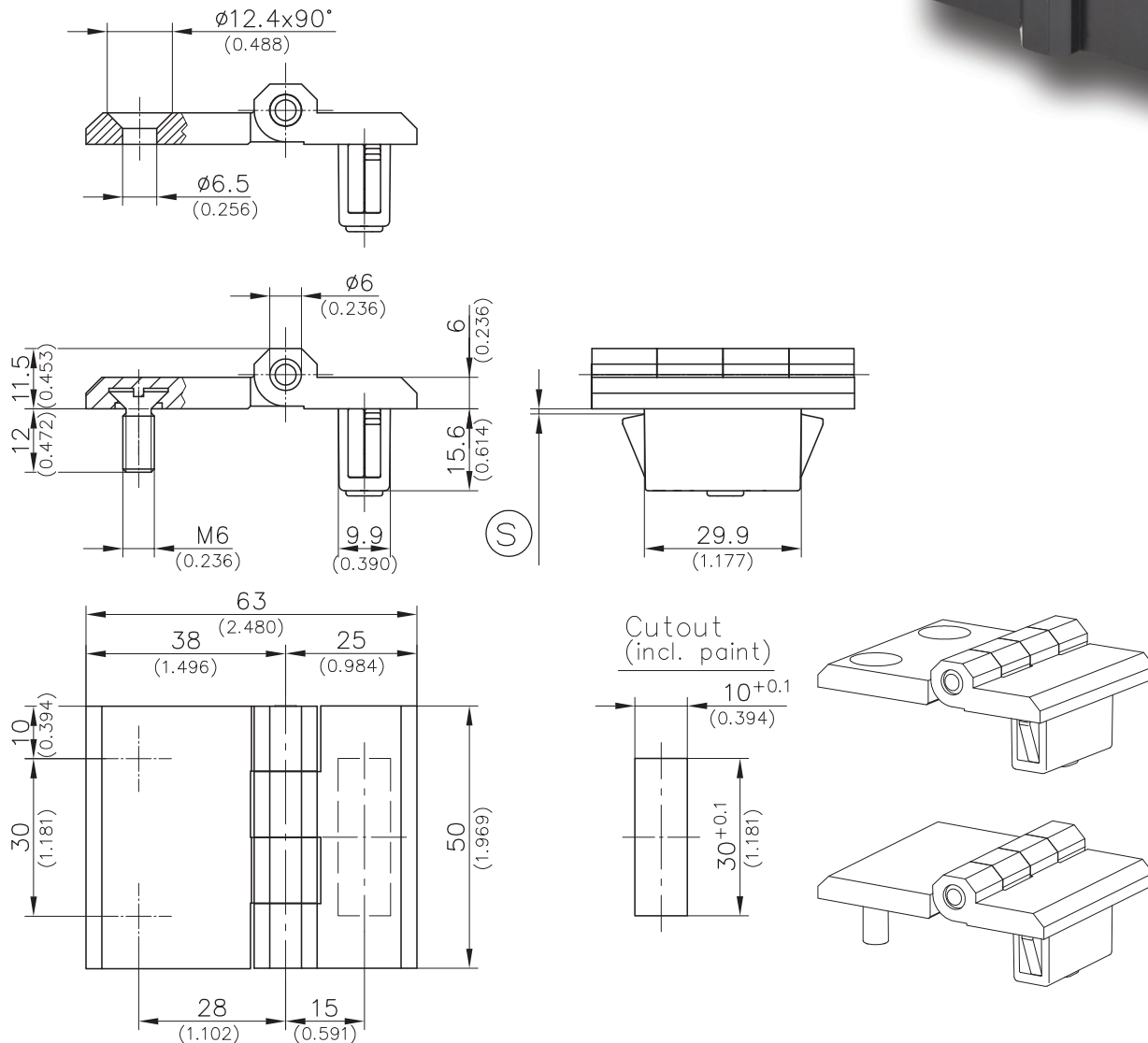


Product Notes:

- Short leaf features tool-less installation.
Long leaf fastens to panel with molded in countersunk screws or countersunk holes
- Can be used for corner applications
- RH and LH application
- Screw-on - see Product System 4-264
- Stainless steel - see Product System 7-202

Material:

- **Leaves:** Zinc Die, Black
- **Pin:** Stainless Steel
- **Wings:** Sintered Metal, Coated



	Clamping Range [Ⓢ]	Molded-in Countersunk M6 Screws	Countersunk Holes for Countersunk M6 Screws	See Page
180° Hinge	1.2 - 1.7	418-9103.00-00015	418-9102.00-00015	
	1.7 - 2.2	418-9103.00-00020	418-9102.00-00020	
	2.2 - 2.7	418-9103.00-00025	418-9102.00-00025	
	2.7 - 3.2	418-9103.00-00030	418-9102.00-00030	
Other [Ⓢ] dimensions on request				
Cover for cutout 30x10mm		292-0401.00-03010	292-0401.00-03010	10.14
Reinforcement plate for cutout 30x8 and 30x10mm		292-0702.15-01030	292-0702.15-01030	10.16
Tool for uninstallation		292-0306.80-02530	292-0306.80-02530	10.17