

4-264 Hinge Pr01 270°

Nested door

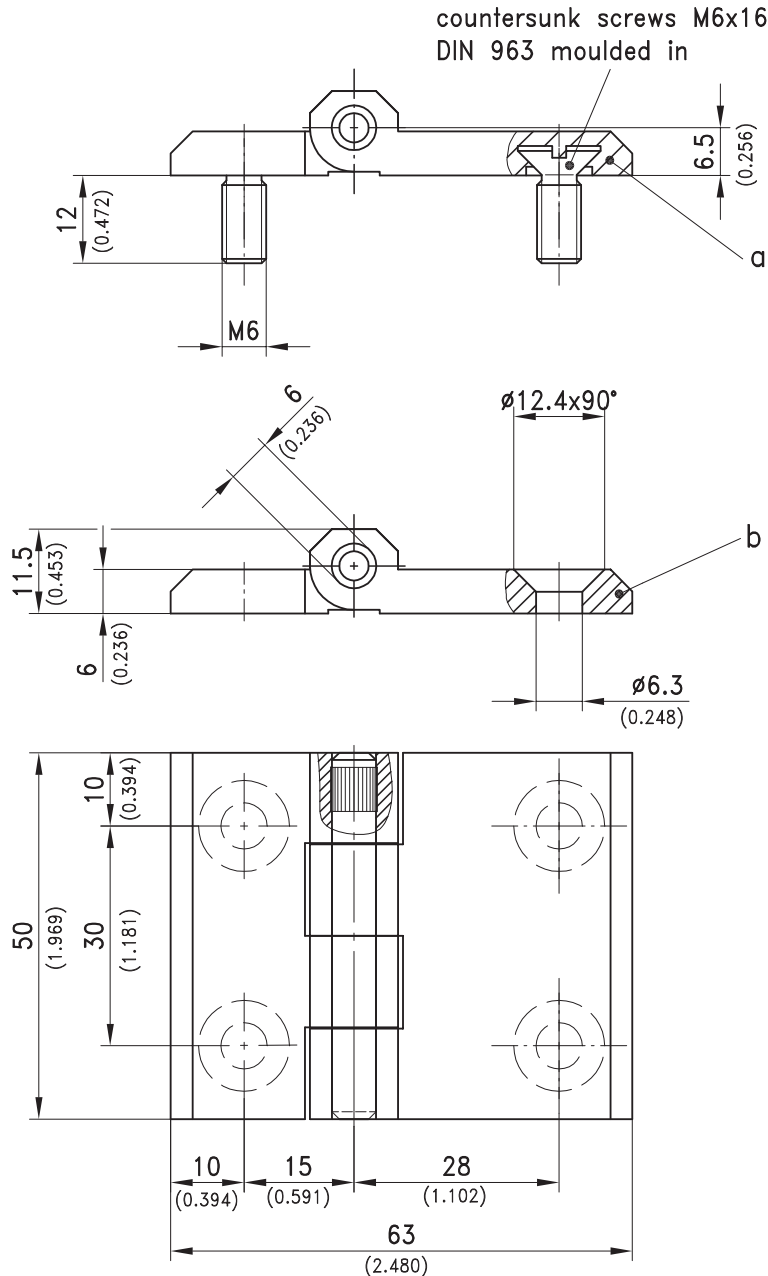
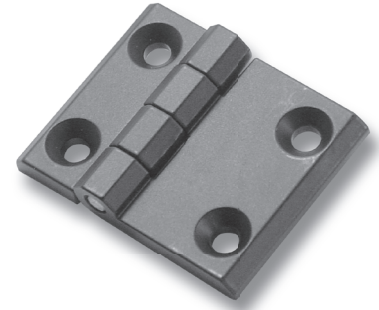


Product Notes:

- Fasten to panel with screws
- RH or LH application
- Two opening angles - 180° or 270°
- Tool-less installation - see Product System 4-264SL
- Stainless steel - see Product System 7-202

Material:

- **Leaves:** Zinc Die, Chrome Plated or Black Coated
- **Pin:** Stainless Steel



Version	Zinc Die Chrome Plated	Zinc Die Black	See Page
a) Hinge with molded in countersunk screws	218-9124	218-9125	
b) with countersunk holes for M6	218-9109	218-9110	
to b) countersunk machine screws			10.23
Version b) in stainless steel			04.69