

4-270SL Hinge Pr01 SNAP-LINE 180°

Tool-less installation, Nested door

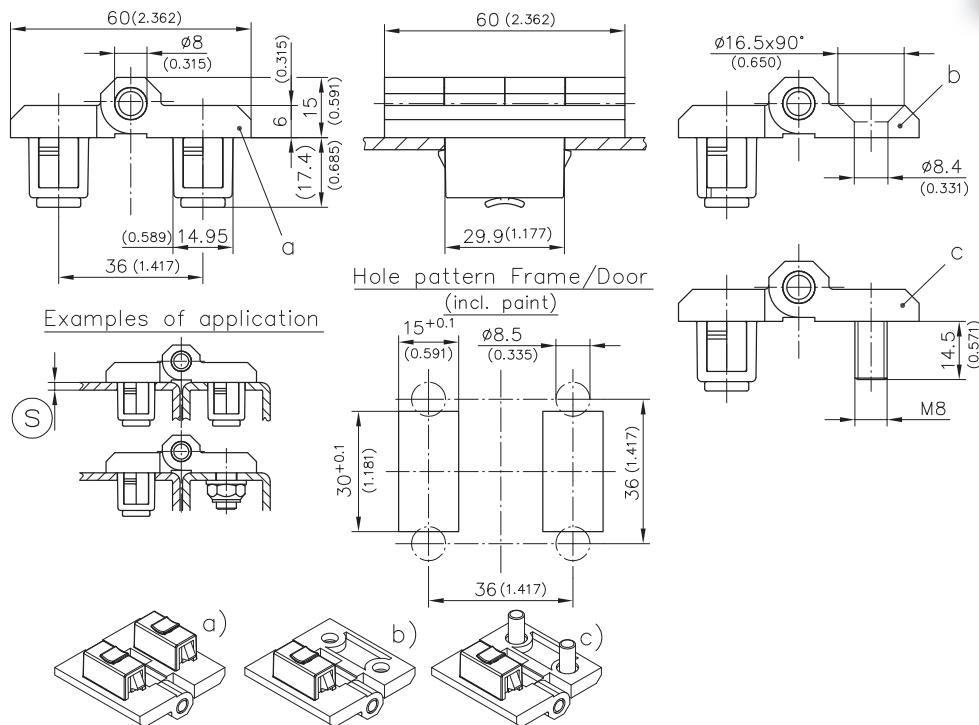
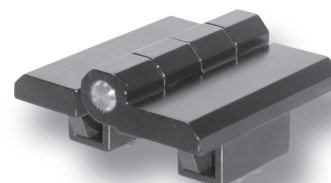


Product Notes:

- Installed by a simple push into the cutout
- Other data and dimensions - see Product System 4-270
- Screw-on - see Product System 4-270
- Stainless steel - see Product System 7-200

Material:

- **Leaves:** Zinc Die, Black
- **Pin:** Stainless Steel
- **Screws molded in:** Stainless Steel
- **Wings:** Sintered Metal, Coated



Hinge version:	Clamping Range [Ⓢ]	Part No.	See Page
a) Tool-less installation - both leaves	1.2 - 1.7	418-9202.00-00015	
	1.7 - 2.2	418-9202.00-00020	
	2.2 - 2.7	418-9202.00-00025	
	2.7 - 3.2	418-9202.00-00030	
	3.2 - 3.7	418-9202.00-00035	
b) Tool-less installation - one leaf	1.2 - 1.7	418-9208.00-00015	
	Screw-on - one leaf, M8 countersunk		
	1.7 - 2.2	418-9208.00-00020	
	2.2 - 2.7	418-9208.00-00025	
	2.7 - 3.2	418-9208.00-00030	
c) Tool-less installation - one leaf	3.2 - 3.7	418-9208.00-00035	
	1.2 - 1.7	418-9203.00-00015	
	Screw-on - one leaf, M8 molded in		
	1.7 - 2.2	418-9203.00-00020	
	2.2 - 2.7	418-9203.00-00025	
	2.7 - 3.2	418-9203.00-00030	
	3.2 - 3.7	418-9203.00-00035	

Countersunk machine screws		10.23
Other [Ⓢ] dimensions on request		
Reinforcement plate for cutout 30x14 and 30x15mm	292-0701.15-01530	10.16
Tool for uninstallation	292-0306.80-02530	10.17
Tool for uninstallation	292-0301.15-00000	10.17