

4-260 Hinge Pr01 270°

Nested door

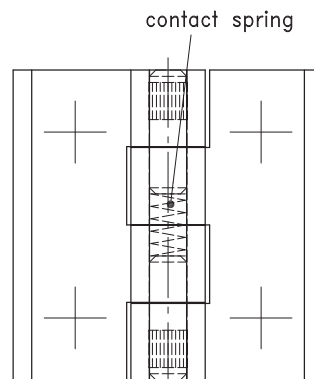
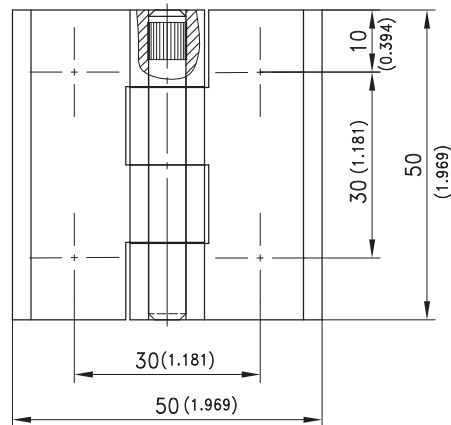
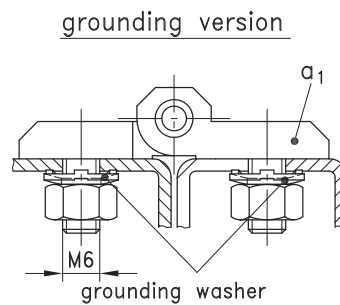
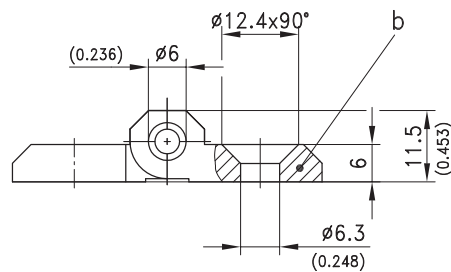
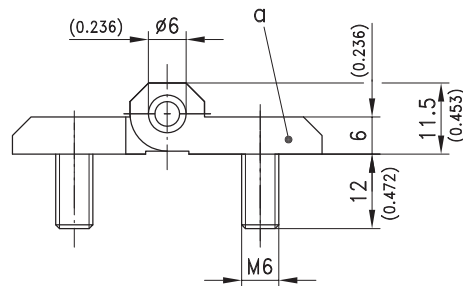
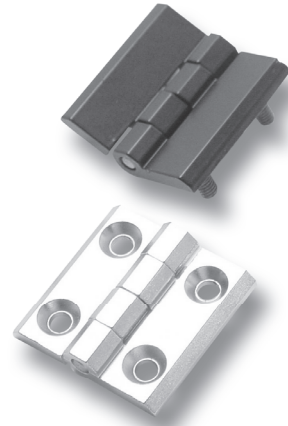


Product Notes:

- Fasten to panel with screws
- Grounding with washer
- RH or LH application
- Two opening angles - 180° or 270°
- Tool-less installation - see Product System 4-260SL

Material:

- **Leaves:** Zinc Die, Chrome Plated or Black Coated
- **Pivot pin and molded in screws:** Stainless Steel
- **Pin:** Steel, Zinc Plated
- **Grounding washer:** Steel, Zinc Plated
- **Spring:** Spring Steel



Version	Chrome Plated	Black	See Page
a) Hinge with screws M6 molded in	218-9101	218-9102	
a1) with screws M6 molded in, grounding version	-	218-9412	
b) with countersunk holes for M6	218-9103	218-9104	
Grounding washer for a1), 4 pieces	800-0411	800-0411	
Combinations of version a) and b) on request.			
Version b) in stainless steel			04.65
Countersunk machine screws Zinc Plated			10.23