

4-250SL Hinge Pr01 SNAP-LINE 180°

Tool-less installation, Nested door

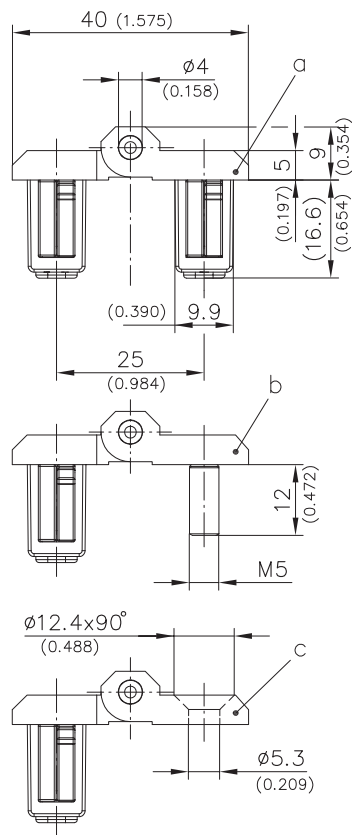
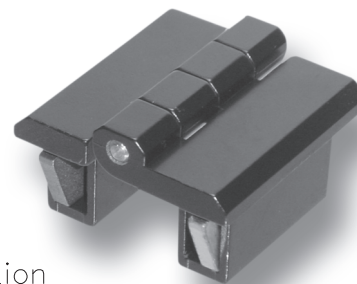


Product Notes:

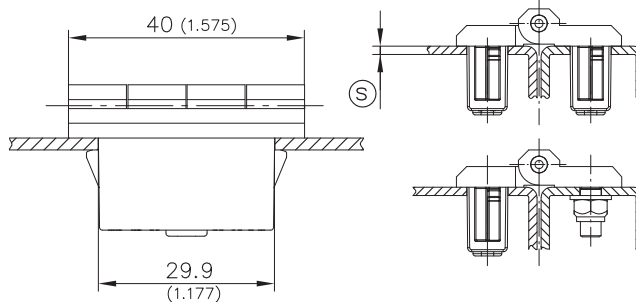
- Installed by a simple push into the cutout
- Door can be opened 180°
- Screw-on - see Product System 4-250

Material:

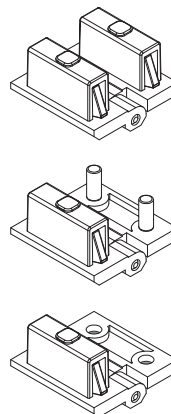
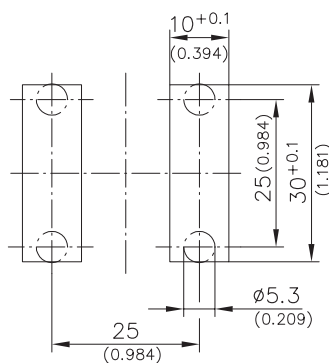
- **Leaves:** Zinc Die, Black
- **Pin:** Stainless Steel
- **Wings:** Sintered Metal, Coated
- **Other dimensions - see Product System 4-250**



Examples of application



Hole pattern Frame/Door (incl. paint)



	Clamping Range [Ⓢ]	Part No.	See Page
a) Tool-less installation - both leaves	1.2 - 1.7	418-9001.00-00015	
	1.7 - 2.2	418-9001.00-00020	
	2.2 - 2.7	418-9001.00-00025	
	2.7 - 3.2	418-9001.00-00030	
b) Tool-less installation - one leaf Screw-on - one leaf, M5 molded in	1.2 - 1.7	418-9002.00-00015	
	1.7 - 2.2	418-9002.00-00020	
	2.2 - 2.7	418-9002.00-00025	
	2.7 - 3.2	418-9002.00-00030	
c) Tool-less installation - one leaf Screw-on - one leaf, M5 countersunk	1.2 - 1.7	418-9003.00-00015	
	1.7 - 2.2	418-9003.00-00020	
	2.2 - 2.7	418-9003.00-00025	
	2.7 - 3.2	418-9003.00-00030	
d) Countersunk machine screws			10.23
e) Cover for cutout 30x10mm		292-0401.00-03010	10.14
f) Reinforcement plate for cutout 30x8 and 30x10mm		292-0702.15-01030	10.16
g) Tool for uninstallation		292-0306.80-02530	10.17