

# 4-246 Hinge Pr01 180°

Nested door, IP65, Lift-off

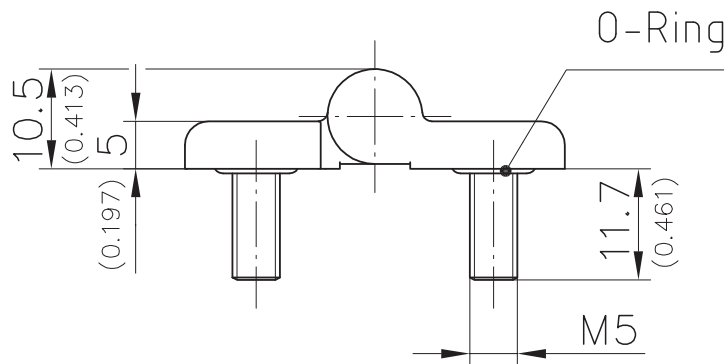


## Product Notes:

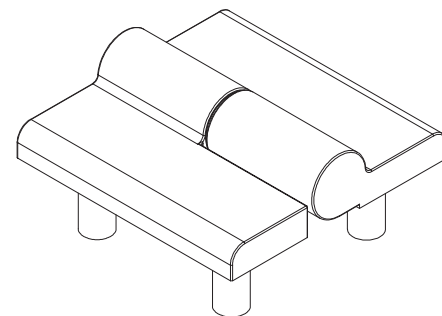
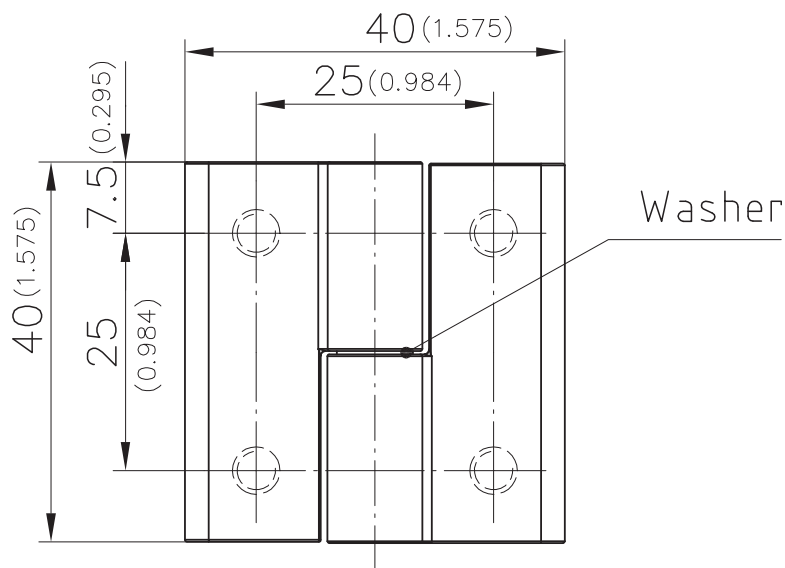
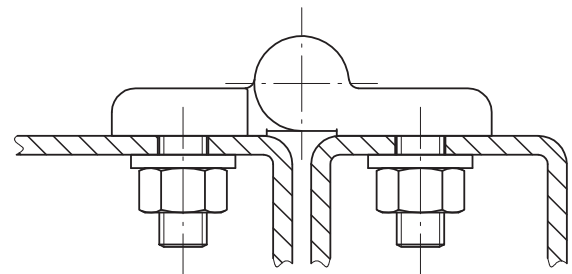
- Fasten to panel with molded in M5 screws
- Water and dust tight according to IP65, DIN EN 60529 with O-ring
- RH and LH application
- Tool-less installation - see Product System 4-246SL

## Material:

- **Leaves:** Zinc Die, Black
- **Pin:** Stainless Steel
- **O-Ring:** NBR
- **Washer:** Stainless Steel



## Example of application



Hinge	Part No.	See Page
RH (as drawn)	218-9010	
LH	218-9011	
<b>Tool-less installation version</b>		<b>04.56</b>