

4-249.01SL Hinge Pr01 SNAP-LINE 180°

Tool-less installation, Nested door

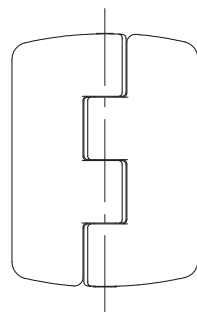
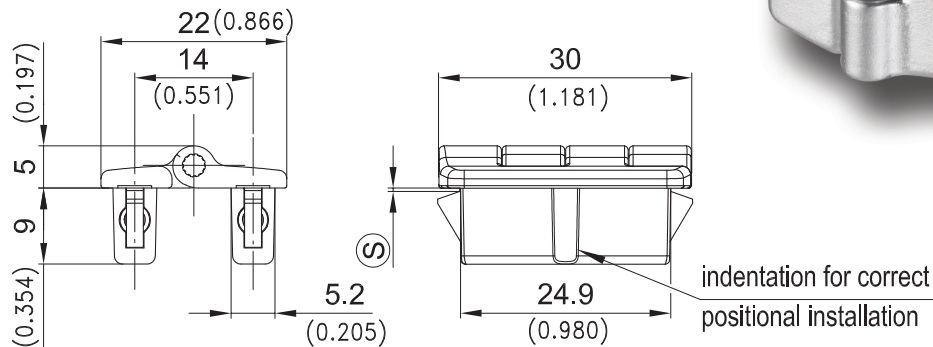


Product Notes:

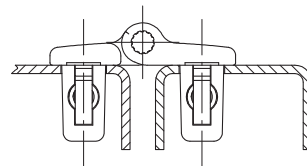
- Small hinge
- 180° opening angle
- Installed by a simple push into the cutout
- Different installation method for leaves - see Product System 4-249 to 4-249.05SL

Material:

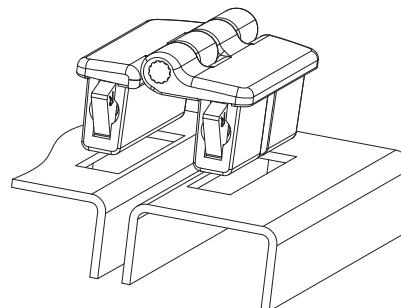
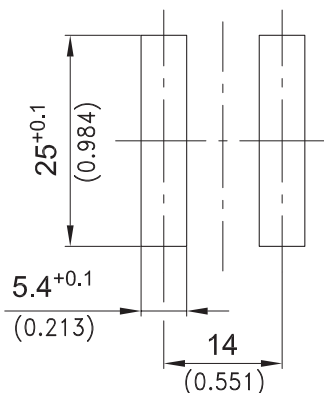
- **Leaves:** Zinc Die, Matt Chrome Plated or Matt Black
- **Pin:** Stainless Steel
- **Wings:** Sintered Steel, Zinc Plated



Example of application



Cutout incl. paint



	Clamping Range [Ⓢ]	Zinc Die Matt Black	Zinc Die Matt Chrome Plated	See Page
180° Hinge	0.6 - 0.9	418-9301.33-00008	418-9301.40-00008	
	0.8 - 1.1	418-9301.33-00010	418-9301.40-00010	
	1.2 - 1.5	418-9301.33-00014	418-9301.40-00014	
	1.8 - 2.1	418-9301.33-00020	418-9301.40-00020	
	2.2 - 2.5	418-9301.33-00024	418-9301.40-00024	
Other [Ⓢ] dimensions on request				
Tool for uninstallation		292-0306.80-02530	292-0306.80-02530	10.17