

4-345 Hinge Pr01/04 180°

Nested or surface mounted door, Lift-off

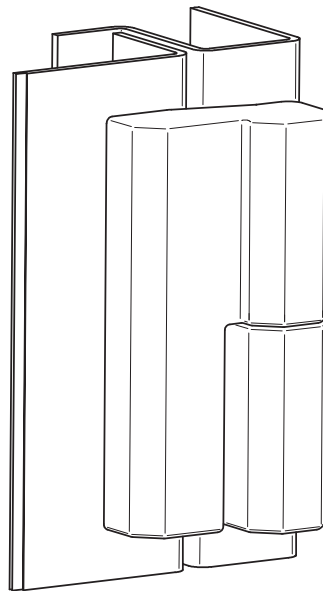
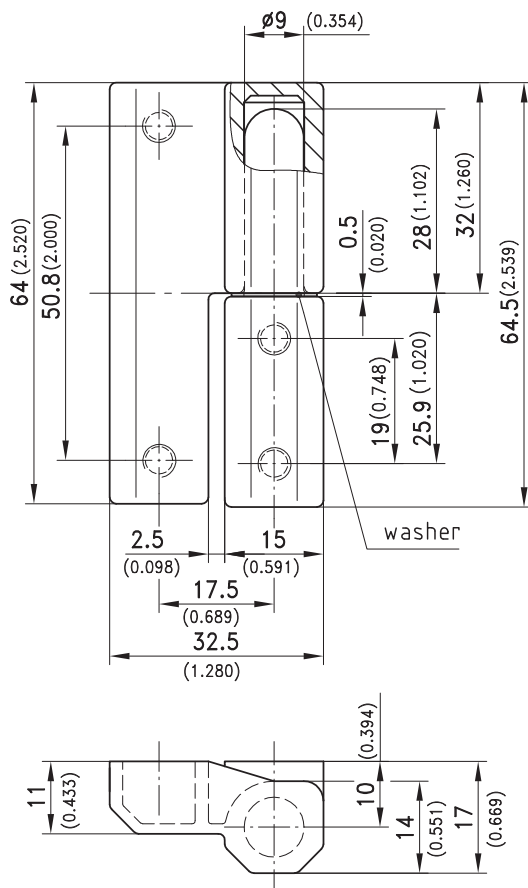


Product Notes:

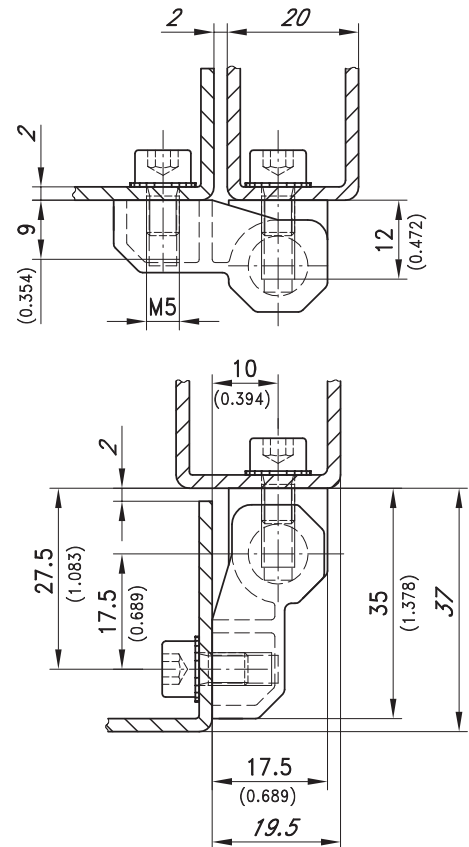
- Fasten to panel with screws
- Lift-off
- Installation screws are concealed
- Hinge can be used for nested or surface mounted doors (refer to example of application on right side).
- For surface mounted doors the opening angle is 130° - see Product System 4-346SL
- Mounting screws not included
- Tool-less installation - see Product System 4-345SL

Material:

- **Hinge:** Zinc Die, Chrome Plated or Black Coated
- **Spacer:** Teflon, Black or White



Examples of application



Version	Chrome Plated RH	Chrome Plated LH	Black RH	Black LH
Screw-on hinge	217-9505	217-9506	217-9503	217-9504