

# 4-348 Hinge Pr01/04 180°

Nested or surface mounted door, Lift-off

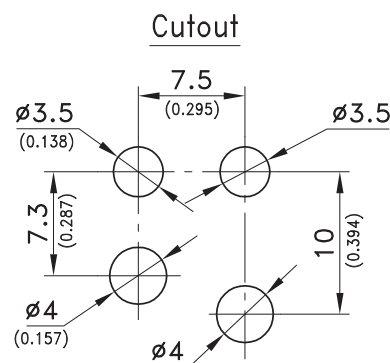
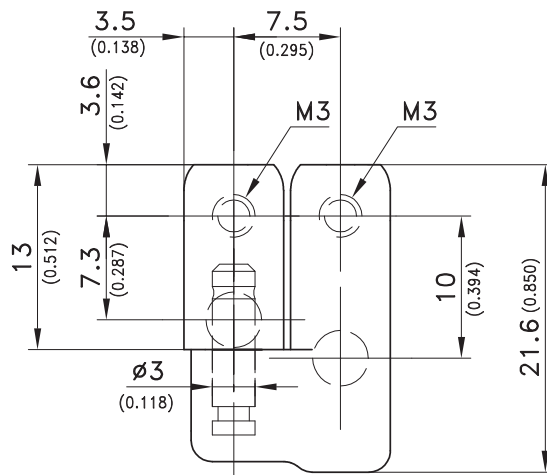
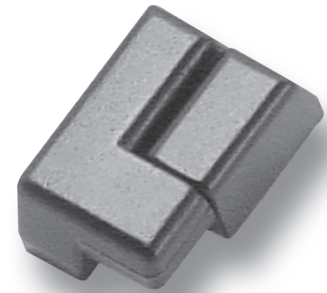


## Product Notes:

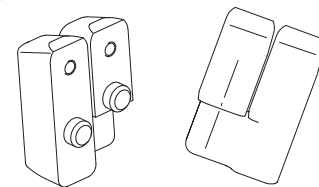
- Lift-off
- Mounting pin molded into frame leaf

## Material:

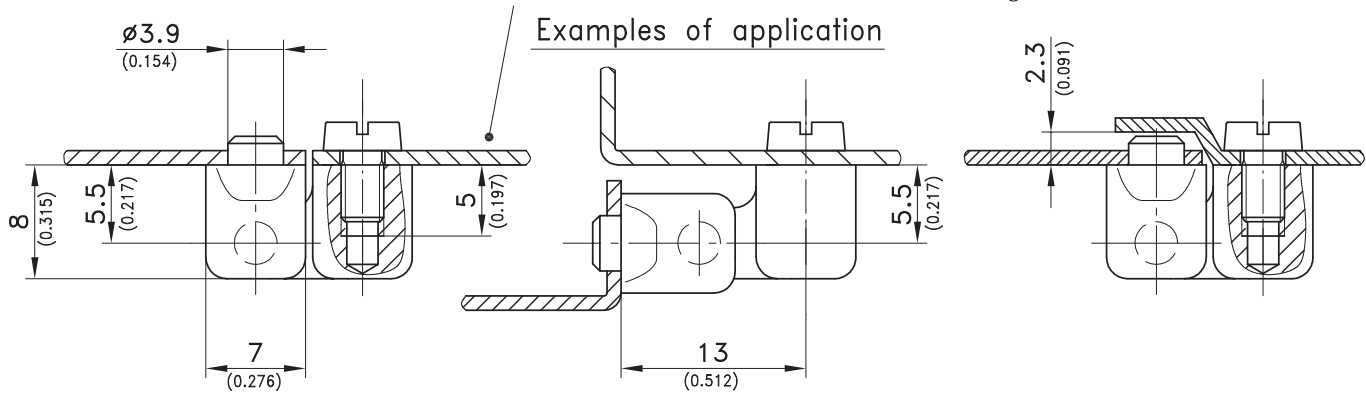
- **Leaves:** Zinc Die, Black
- **Pin:** Stainless Steel



e.g. 2x cylinder head screw with slot M3x5 DIN 84



## Examples of application



Version

LH

RH (as drawn)

Part No.

250-9106

250-9107