

4-326 Hinge Pr04 180°

Surface mounted door, PA bushings

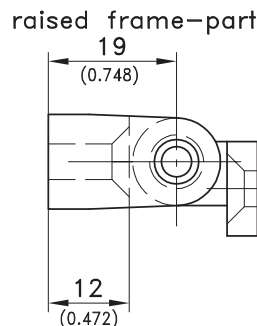
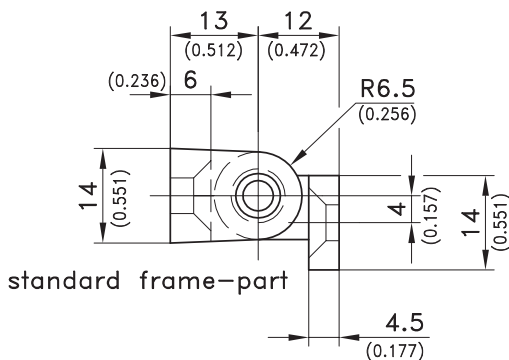
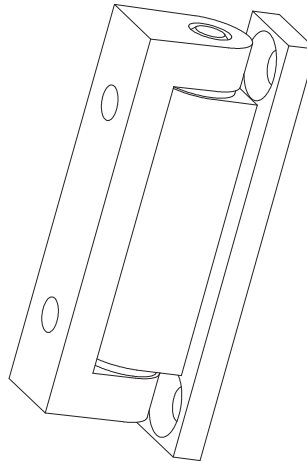
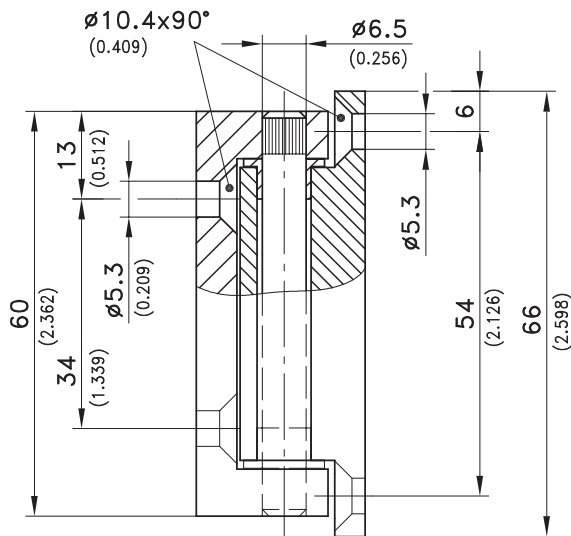


Product Notes:

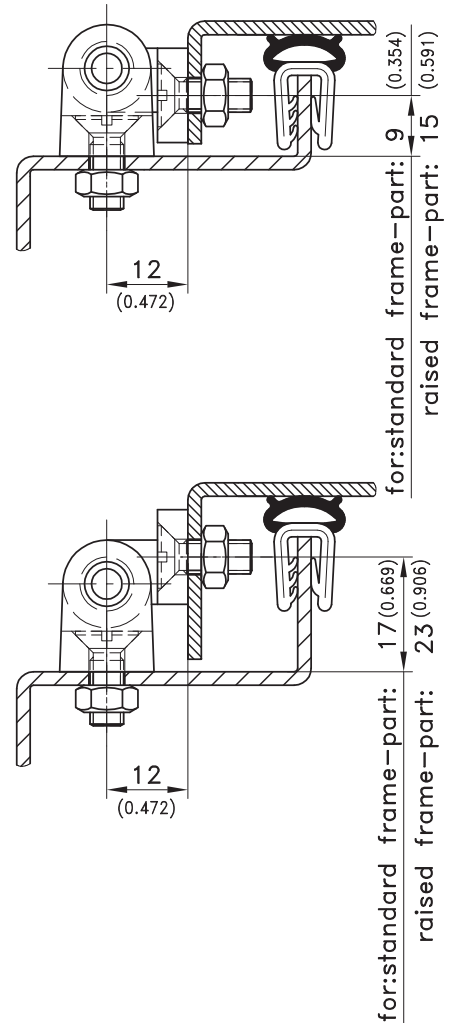
- Fasten to panel with screws
- Pin is stainless and rotates in PA bushings
- Top two application examples show the asymmetric layout of the door leaf. This layout allows for a wide variety of door bendings.
- The knurled pin can be replaced by a pin with two c-clips - see Product System 4-330

Material:

- **Frame leaf and middle-part:** Zinc Die, Chrome Plated or Black Coated
- **Pin:** Stainless Steel
- **Bushings:** PA, Natural



Examples of application



Surface of frame leaf	Standard Frame Leaf	Raised Frame Leaf	See Page
Chrome Plated	217-9301	217-9303	10.23
Black Coated	217-9302	217-9304	
Countersunk machine screws Zinc Plated			