

4-323 Hinge Pr04 180°

Surface mounted door, PA bushings

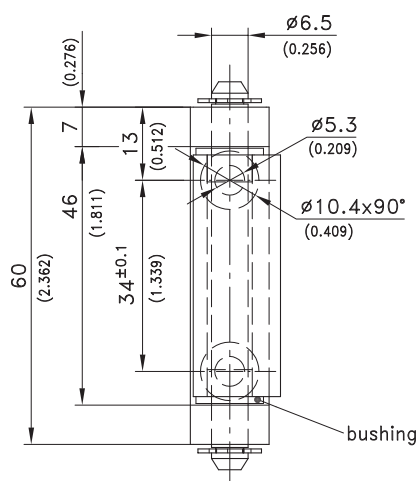


Product Notes:

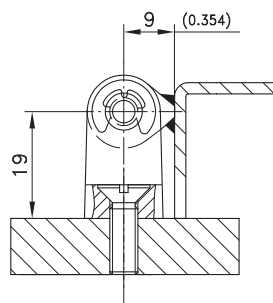
- Frame leaf fastens to panel with screws.
- Door leaf fastens to panel by welding
- Pin pivots in polyamide bushings

Material:

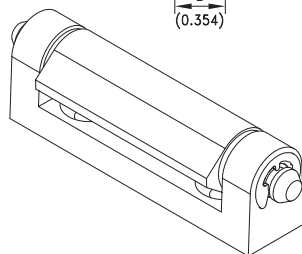
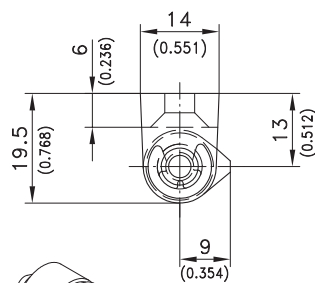
- **Frame leaf:** Zinc Die, Chrome Plated or Black Coated
- **Middle-part:** Steel, Untreated
- **Pin:** Steel, Zinc Plated
- **Bushings:** PA, Natural



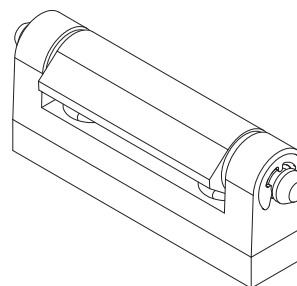
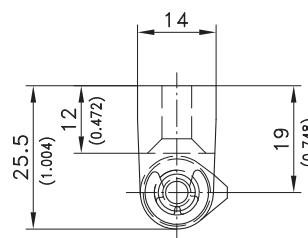
Example of application



Standard frame-part



Raised frame-part



Surface of frame leaf	Standard Frame Leaf	Raised Frame Leaf	See Page
Chrome Plated	217-9201	217-9203	10.23
Black Coated	217-9202	217-9204	
Countersunk machine screws Zinc Plated			10.23