

# 4-370 Hinge Pr04 180°

Surface mounted door



## Product Notes:

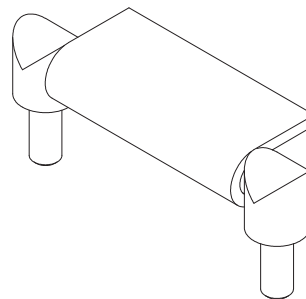
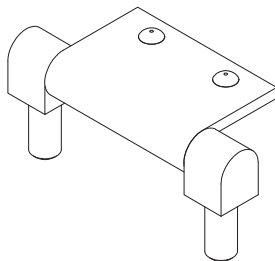
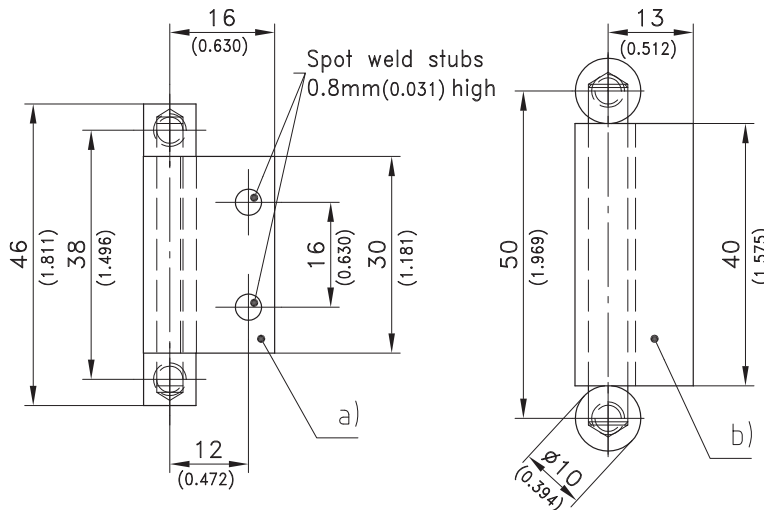
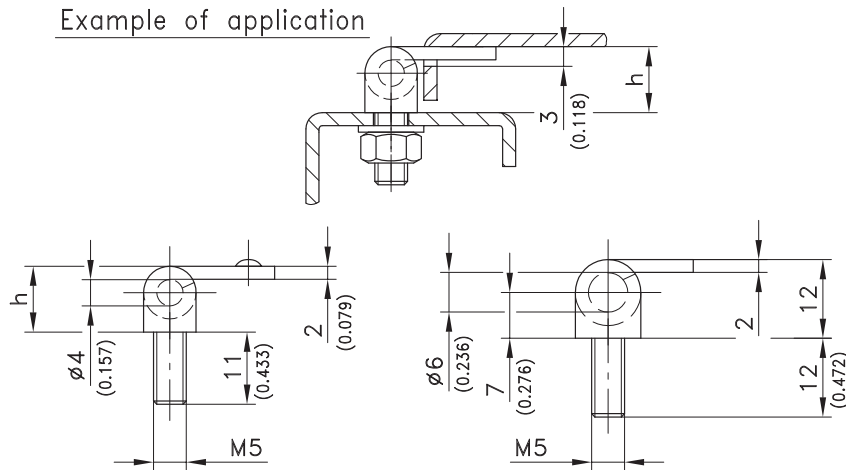
- Fasten to panel by welding

## Material:

- **Leaves:** Steel, Untreated
- **Pin- and frame Leaves:** Steel, Zinc Plated



Example of application



	H mm / inch	Part No.
a) Hinge	10 / 0.394	240-9201
	12 / 0.472	240-9202
b) Hinge	12 / 0.472	240-9002