

# 4-320 Hinge Pr04 180°

Surface mounted door, PA bushings



## Product Notes

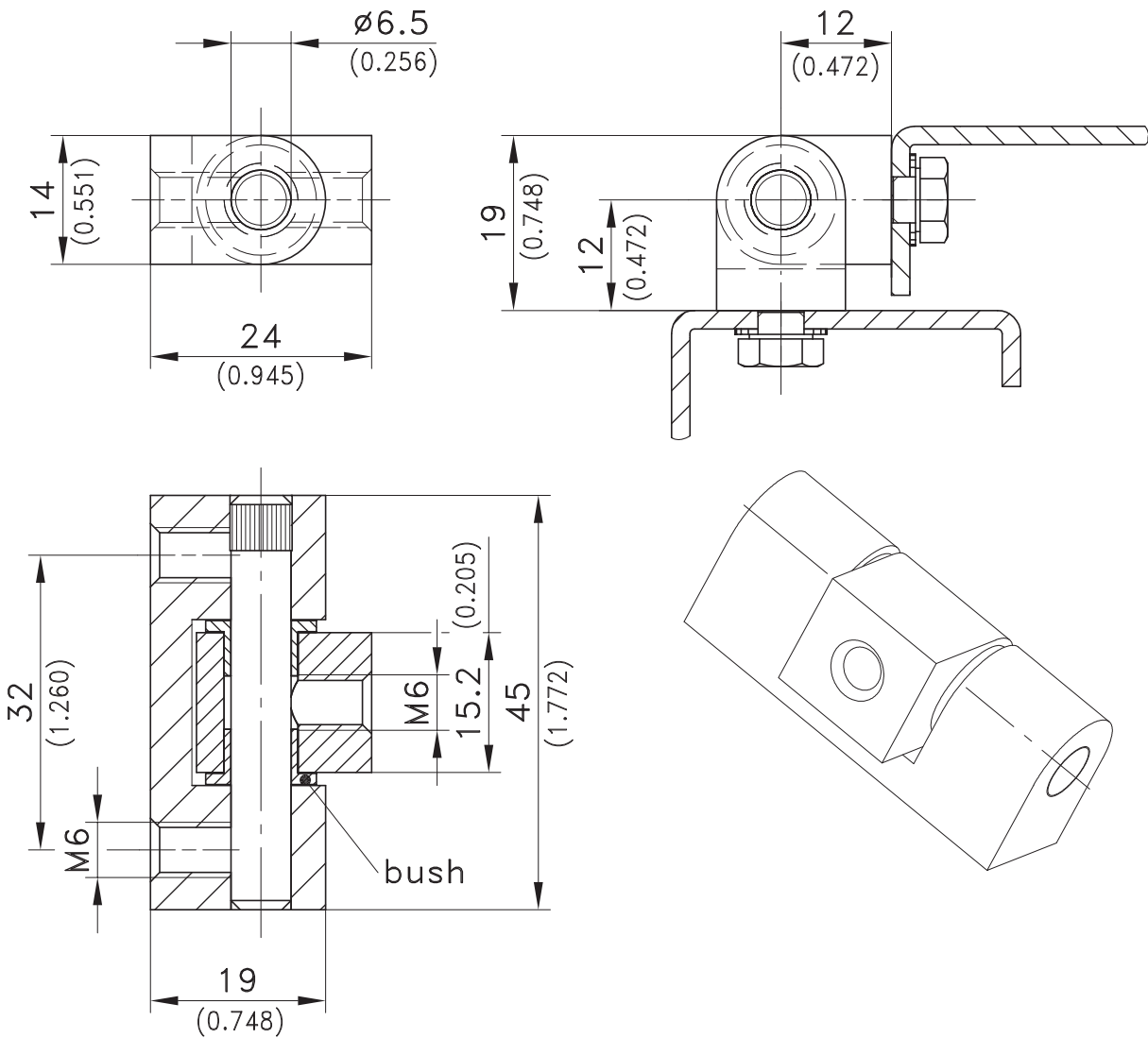
- RH and LH application

## Material:

- **Frame- and middle-part:** Zinc Die, Chrome Plated or Black Coated
- **Pin:** Stainless Steel
- **Bushings:** PA, Natural



## Examples of application



Version	Chrome Plated	Black	See Page
Hinge	217-9001	217-9002	
Screws			10.22