

4-220 Hinge Pr04 180°

Surface mounted door, Explosion tight



Product Notes:

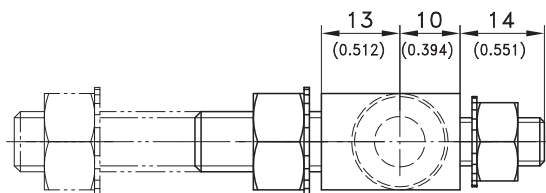
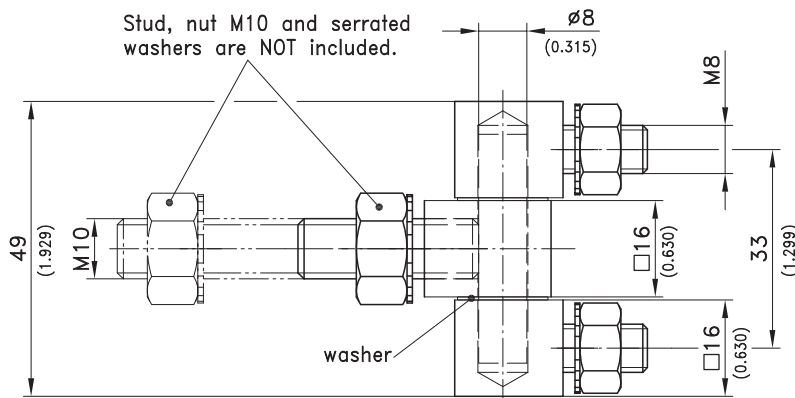
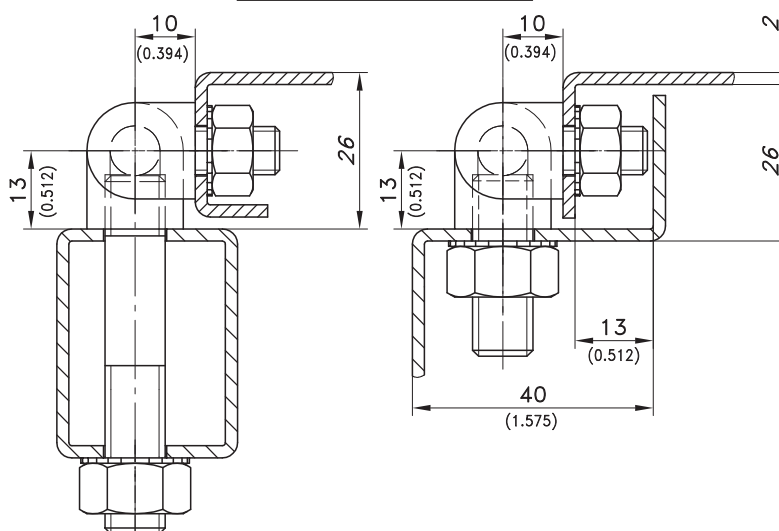
- Explosion tight door applications

Material:

- **Hinge:** Tempered Steel, Zinc Plated
- **Washer:** Brass, Nickel Plated
- **Nut and washer:** Steel, Zinc Plated
- **Pin:** Steel, Nickel Plated



Examples of application



Screw-on hinge

2 nuts and serrated washers Ø8 are included.

Part No.

219-9201