

# 7-130 Hinge Pr04 180°

Surface mounted door, Stainless Steel, Lift-off

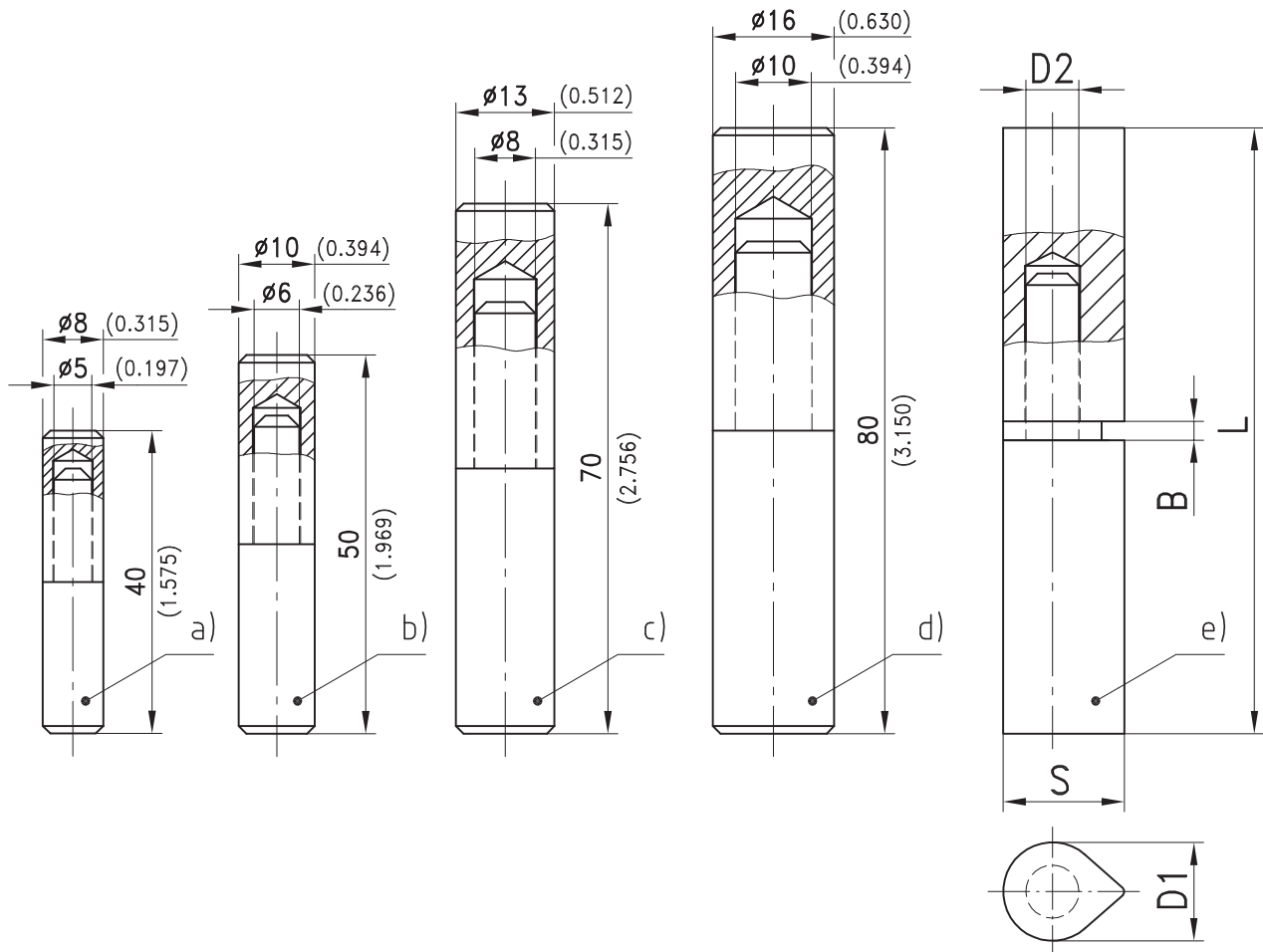


## Product Notes:

- Fasten to panel by welding
- Lift-off
- Zinc die- see Product System 4-310

## Material:

- **Hinge, pin and washer:** Stainless Steel AISI 304



						Part No.
a) Hinge Ø8x40						223-9401
b) Hinge Ø10x50						223-9402
c) Hinge Ø13x70						223-9403
d) Hinge Ø16x80						223-9404
e) Hinge	L	D1	S	B	D2	
	60	10	12.4	2	6	223-9601
	80	13	16	2.5	7	223-9602
	100	16	20	3	9	223-9603
	120	16	20	3	9	223-9604