

4-280 Hinge Pr04 180°

Surface mounted door, Lift-off



Product Notes:

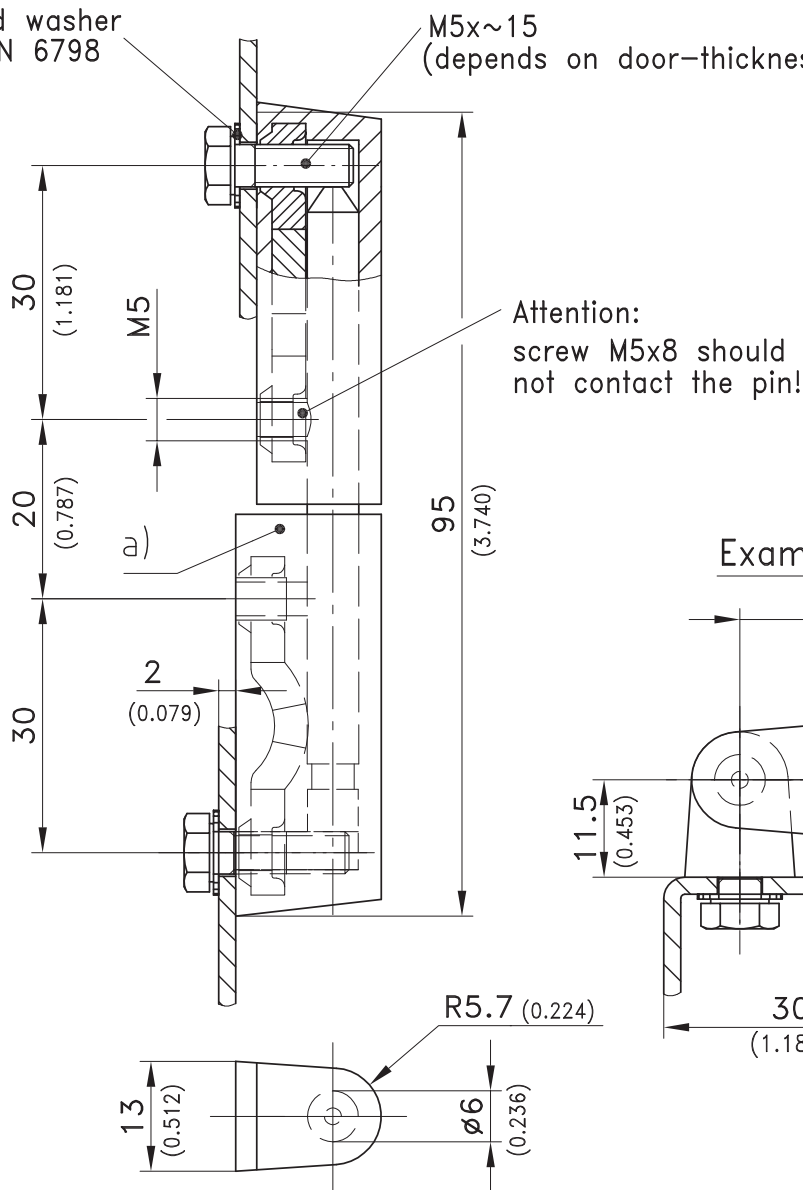
- Fasten to panel with M5x15 screws to give electrical conductivity
- RH and LH application
- Lift-off
- Top and bottom part have a molded-in plate with 2 threaded M5 holes. This construction makes the hinge very strong
- Corrosion resistant stainless steel pin
- 180° opening angle

Material:

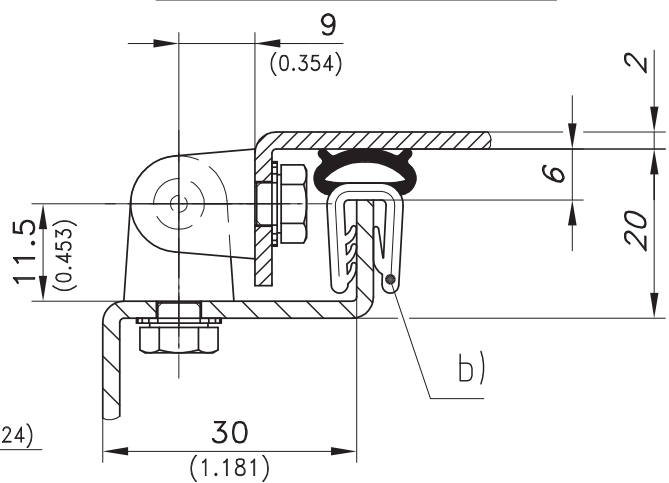
- **Leaves:** PA, Black
- **Plate insert (fully molded-in):** Steel, Untreated
- **Pin:** Stainless Steel



serrated washer J5.3 DIN 6798 M5x~15 (depends on door-thickness)



Example of application



	Part No.	See Page
a) Polyamide hinge	224-9001	
Screws and washers are not included.		
b) Clip-on profile	209-0201	05.12