

# 4-290 Hinge Pr04 180°

Surface mounted door, Lift-off, Adjacent cabinets

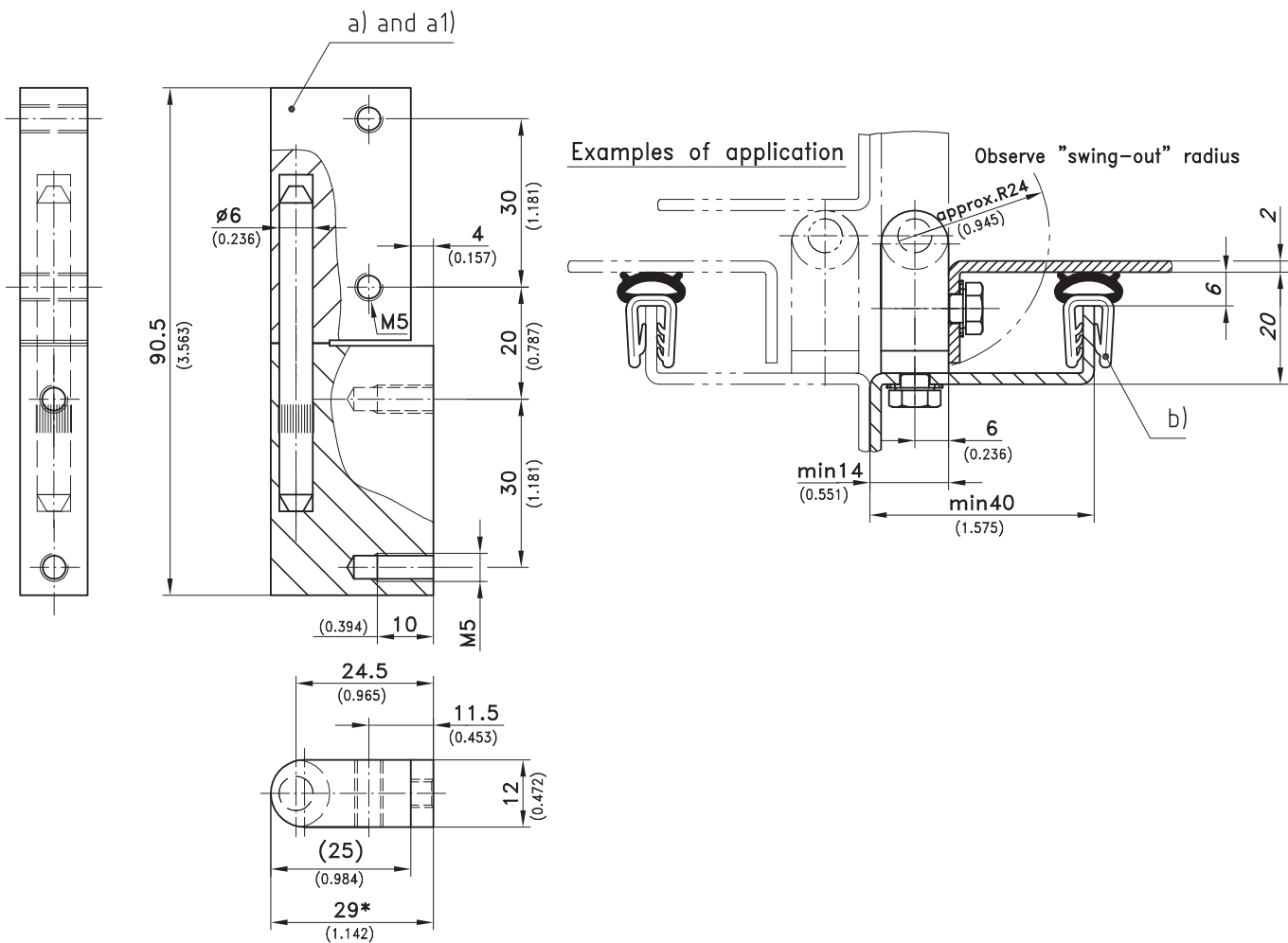


## Product Notes:180°

- Fasten to panel with screws
- RH and LH application
- 180° opening angle
- Lift-off

## Material:

- **Leaves:** Zinc Die, Chrome Plated or Black Coated
- **Pin:** Stainless Steel



Version	Chrome Plated	Black	See Page
a) Hinge	210-9002	210-9001	
a1) For bending up to 30mm	-	210-9003	
* (39mm high instead of 29mm)			
b) Clip-on profile		209-0201	05.12