

7-211 Corner Hinge Pr04 180°

Surface mounted door, Stainless Steel, Lift-off

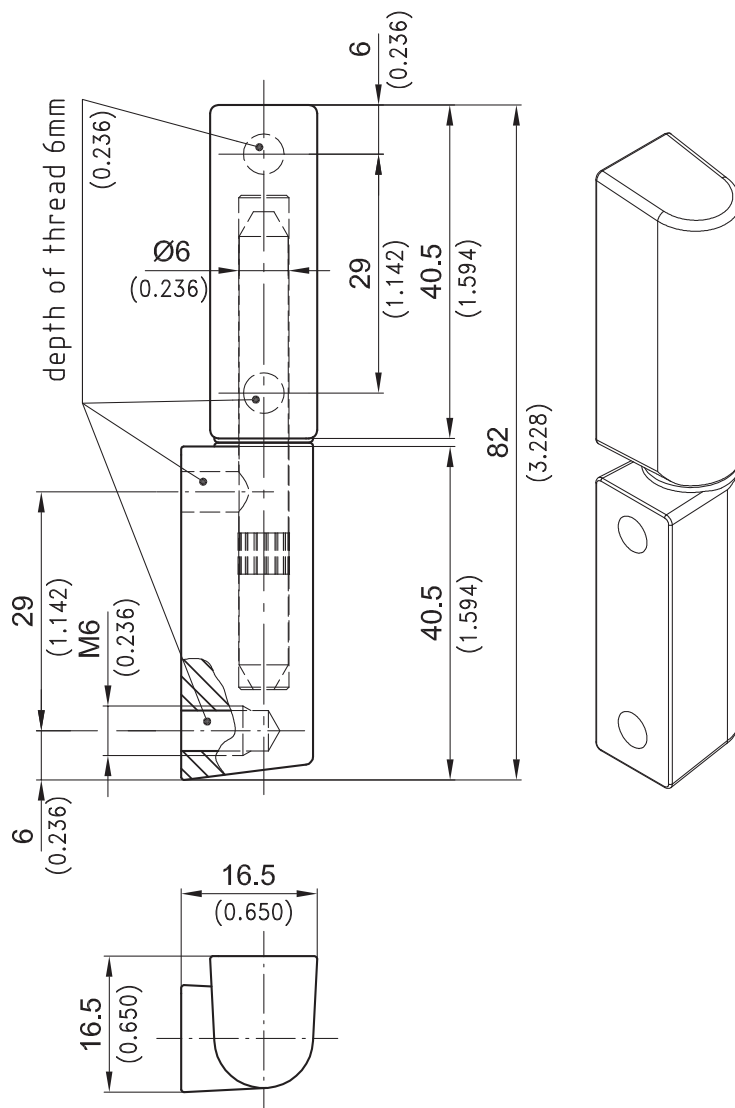


Product Notes:

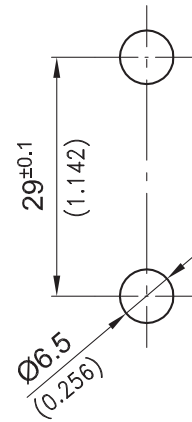
- Can be used for corner applications
- 180° opening angle
- Fasten to panel with screws
- Lift-off
- RH and LH application

Material:

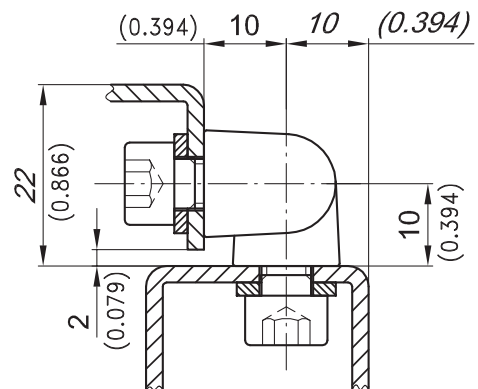
- **Hinge:** Stainless Steel AISI 316, Satin Polished
- **Pin:** Stainless Steel



Cutout



Example of application



Part No.	See Page
Corner hinge	224-9201.00-0000
Screws M6 not included.	

Hinge, zinc die with tool-less installation	04.23
---	-------