

# 4-285 Hinge Pr04 180°

Surface mounted door, Lift-off

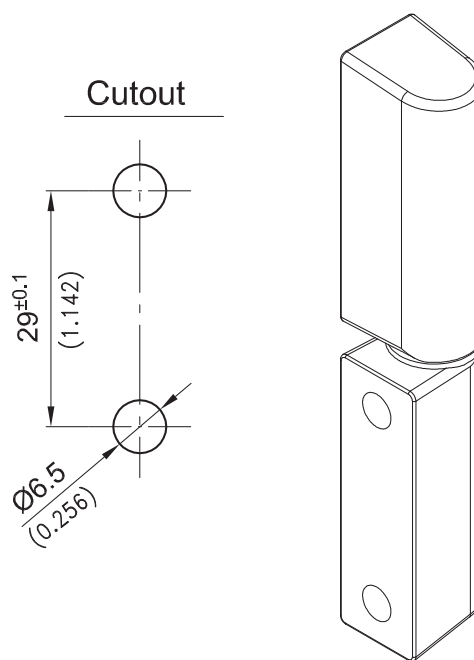
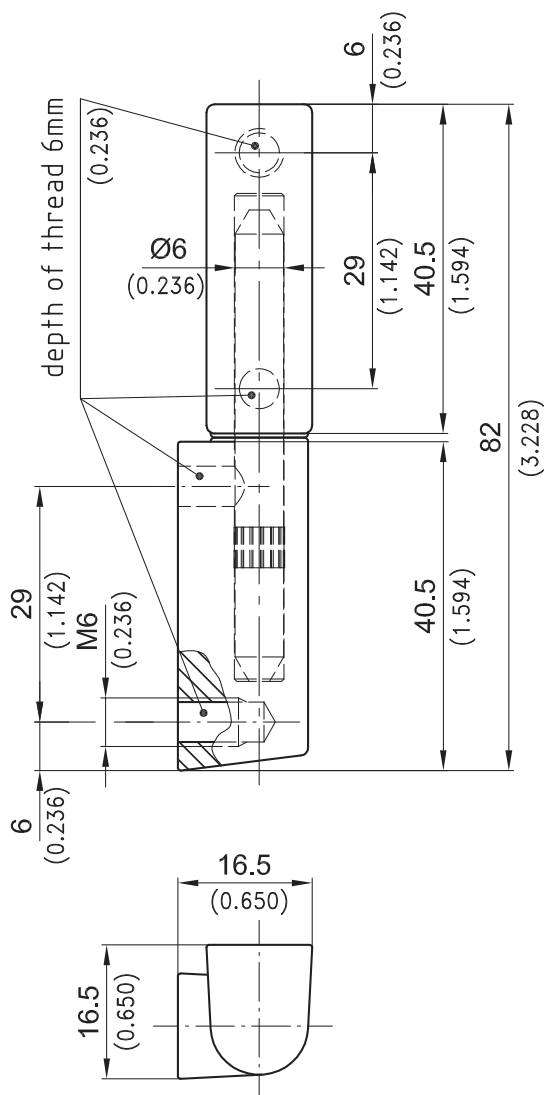


## Product Notes:

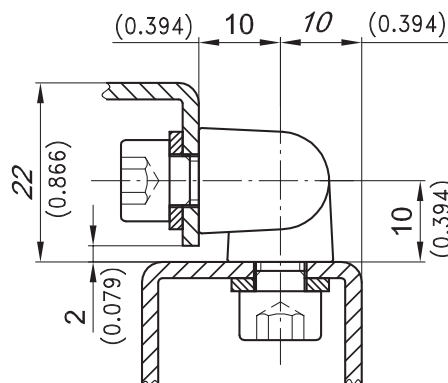
- Can be used for corner applications
- 180° opening angle
- Fasten to panel with screws
- Lift-off
- RH and LH application
- Tool-less installation - see Product System - 4-285SL and 7-285SL
- Stainless steel - see Product System - 7-285SL

## Material:

- **Leaves:** Zinc Die, Black Coated
- **Other surfaces on request**
- **Pin:** Stainless Steel



## Example of application



<b>Corner hinge</b>	<b>Part No.</b>	<b>See Page</b>
<b>Screws M6 are not included.</b>	<b>224-9008</b>	
<b>Tool-less installation version</b>		<b>04.23</b>