

# 4-283SL Hinge Pr04 SNAP-LINE 180°

Tool-less installation, Surface mounted door, Lift-off

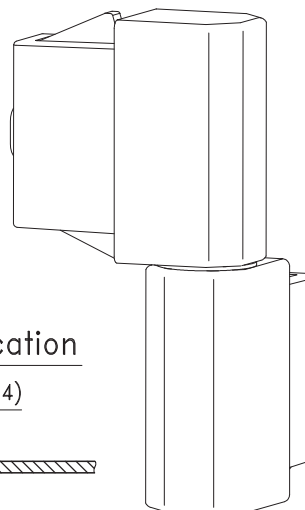
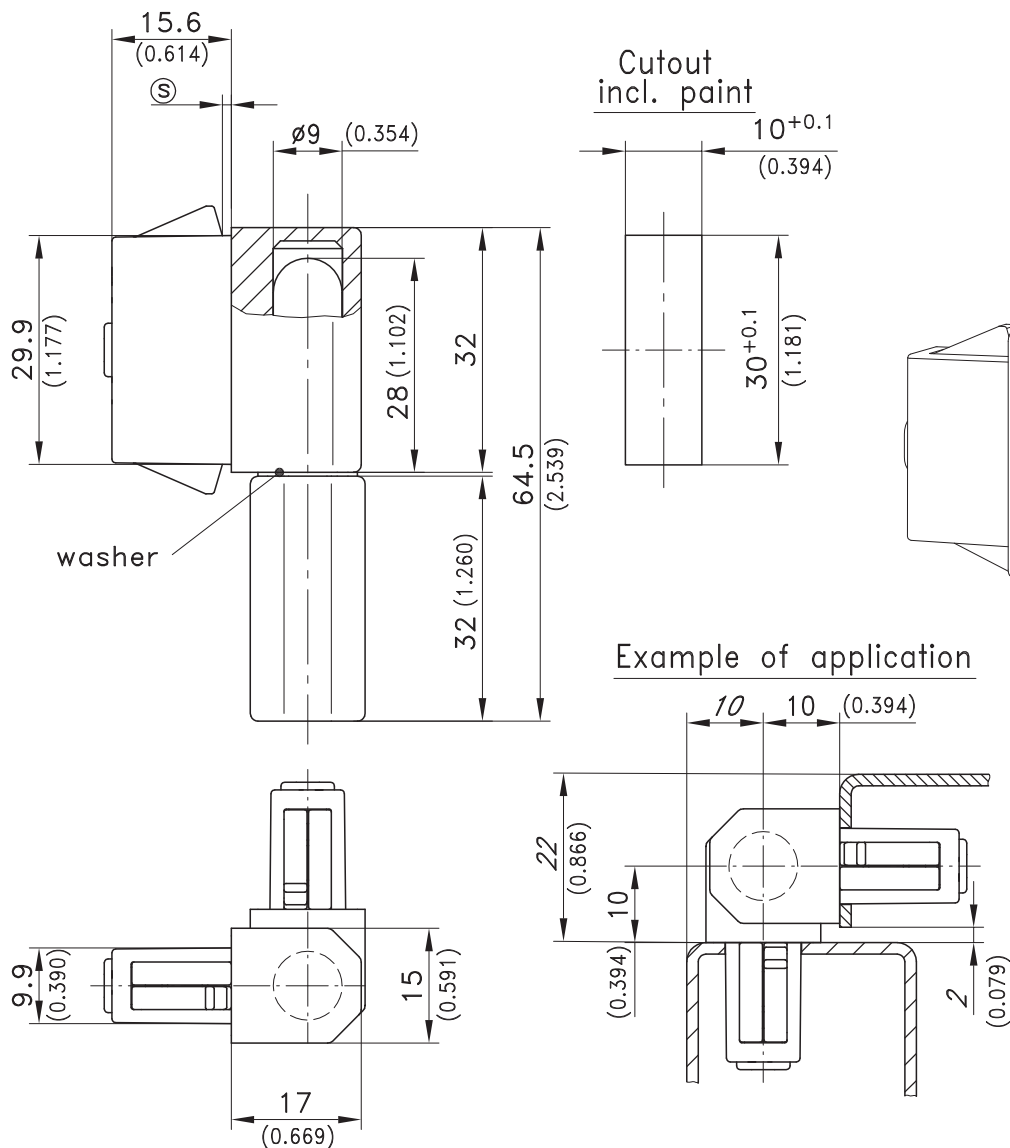
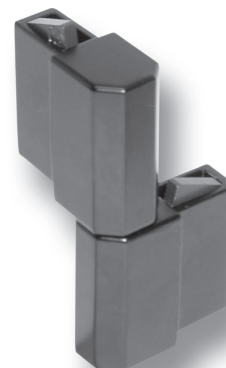


## Product Notes:

- Lift-off
- RH and LH application
- Installed by a simple push into the cutout
- Screw-on - see Product System - 4-283

## Material:

- **Leaves:** Zinc Die, Matt Black
- **Pin cast on:** Zinc Die
- **For heavy duty solid pin, pressed in:** Stainless Steel
- **Washer:** Teflon, Black
- **Wings:** Sintered Steel



	Clamping Range <sup>Ⓢ</sup>	Pin Cast	Solid Pin Pressed In	See Page
<b>180° Hinge</b>	0.7 - 1.2	417-9004.00-00010	417-9009.00-00010	
	1.2 - 1.7	417-9004.00-00015	417-9009.00-00015	
	1.7 - 2.2	417-9004.00-00020	417-9009.00-00020	
	2.7 - 3.2	417-9004.00-00030	417-9009.00-00030	
<b>Other <sup>Ⓢ</sup> dimensions on request</b>				
	<b>Cover for cutout 30x10mm</b>	292-0401.00-03010	292-0401.00-03010	10.14
	<b>Reinforcement plate for cutout 30x8 and 30x10mm</b>	292-0702.15-01030	292-0702.15-01030	10.16
	<b>Tool for uninstallation</b>	292-0306.80-02530	292-0306.80-02530	10.17