

6-042 Nut plates

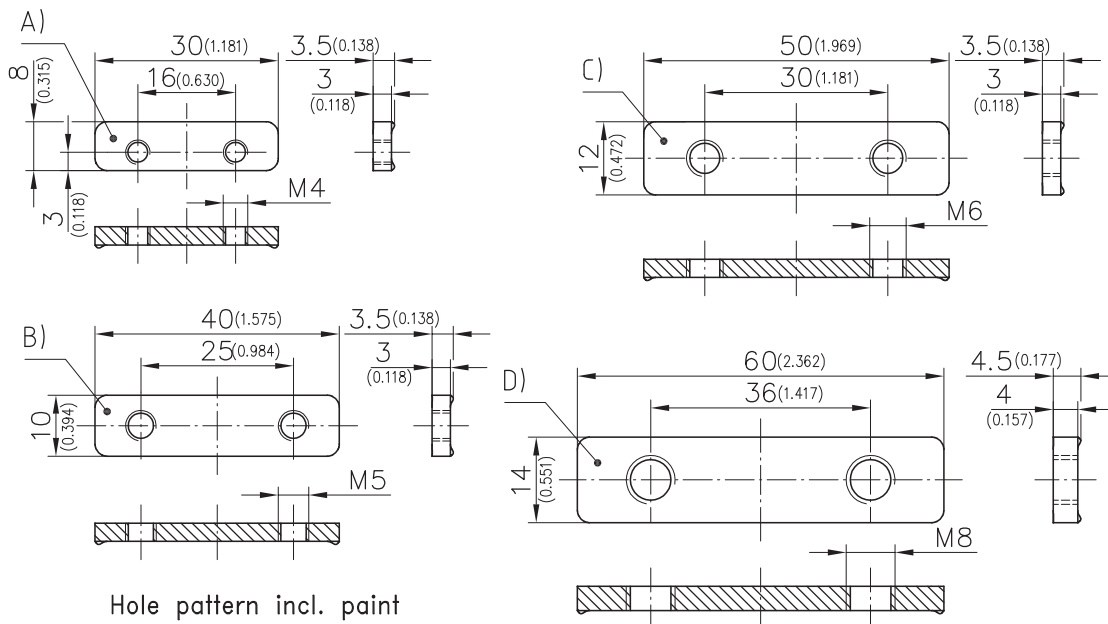
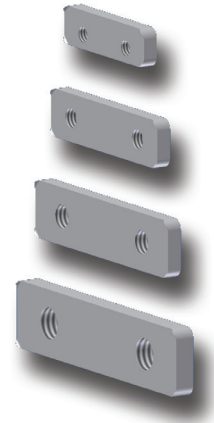


Product Notes:

- Nut plates allow easy installation of hinges with 218-series Part No. by eliminating time consuming fitting of single nuts
- Screws are tightened from the outside
- Oversized holes allow for horizontal or vertical adjusting
- Teeth on corners create friction to simplify installation and adjusting. To eliminate friction, plates can be turned away from panel

Material:

- **Nut plate:** Steel, Zinc Plated

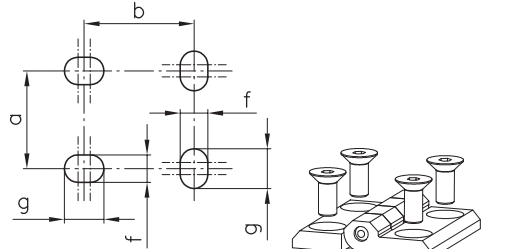
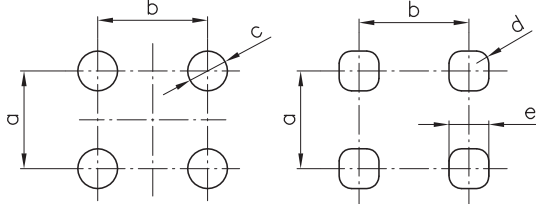


Hole pattern incl. paint

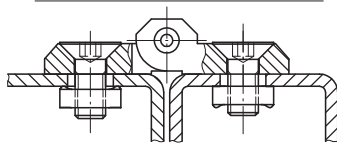
hole pattern for horizontal and vertical adjustment

hole pattern for horizontal and vertical adjustment

hole pattern for horizontal and/or vertical adjusting separately.



Example of application



teeth to increase friction

	a	b	c	d	e	f	g	Part No.
A)	16	18	∅6.5	R2	□6.5	4.5	6.5	218-0907.15
B)	25	25	∅7.5	R2.5	□7.5	5.5	7.5	218-0908.15
C)	30	30	∅8.5	R3	□8.5	6.5	8.5	218-0909.15
D)	36	36	∅10.5	R4	□10.5	8.5	10.5	218-0910.15