

4-704 Torque Hinge Pr01 360°

Nested door, Torque options - 3.25Nm and 5.00Nm

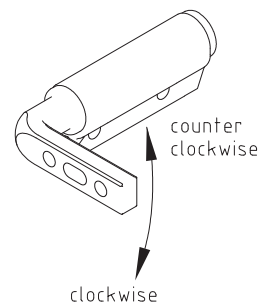
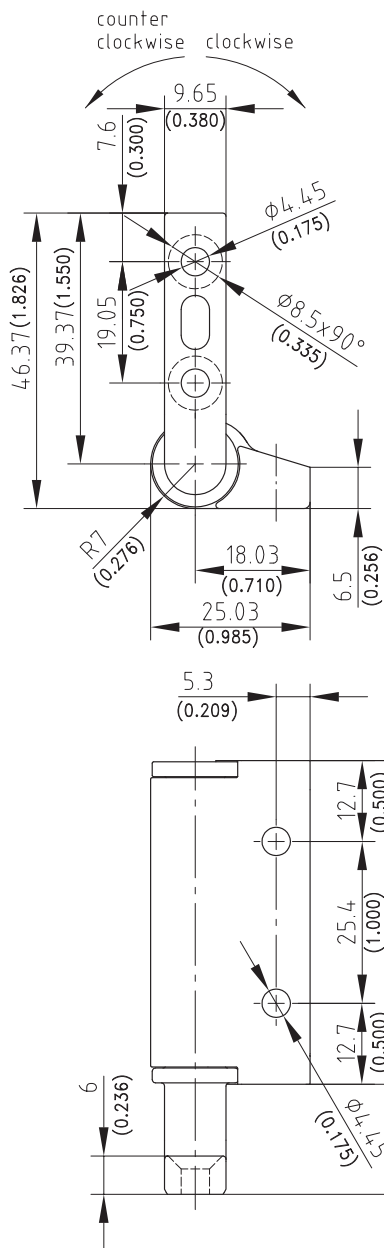


Product Notes:

- Constant torque throughout full range of motion
- Doors will remain in desired position
- Springback typically < 1°
- Life cycles > 20,000 cycles.
- Fasten to frame with M4 screws
DIN-EN-ISO 4762
- Fasten to door with M4 screws
DIN-EN-ISO 10642

Material:

- **Leaves:** Zinc Die, Black Coated
- **Shaft and torque clips:** Hardened Steel



Version	Clockwise	Counter Clockwise	Part No.
Torque Hinge LH (as drawn)	5.00Nm	3.25Nm	703-9004.00-00325*
Torque Hinge RH	3.25Nm	5.00Nm	703-9005.00-00325*

* Price and delivery time on request