

4-709 Torque Hinge Pr01 270°

Nested door, Torque options - 0Nm - 5Nm

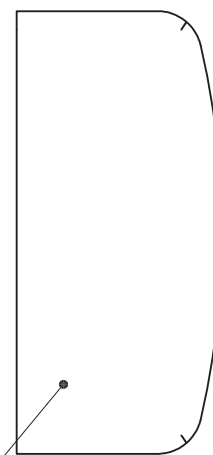
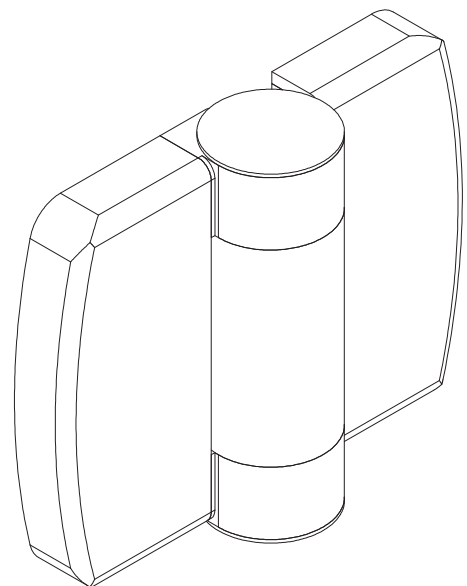
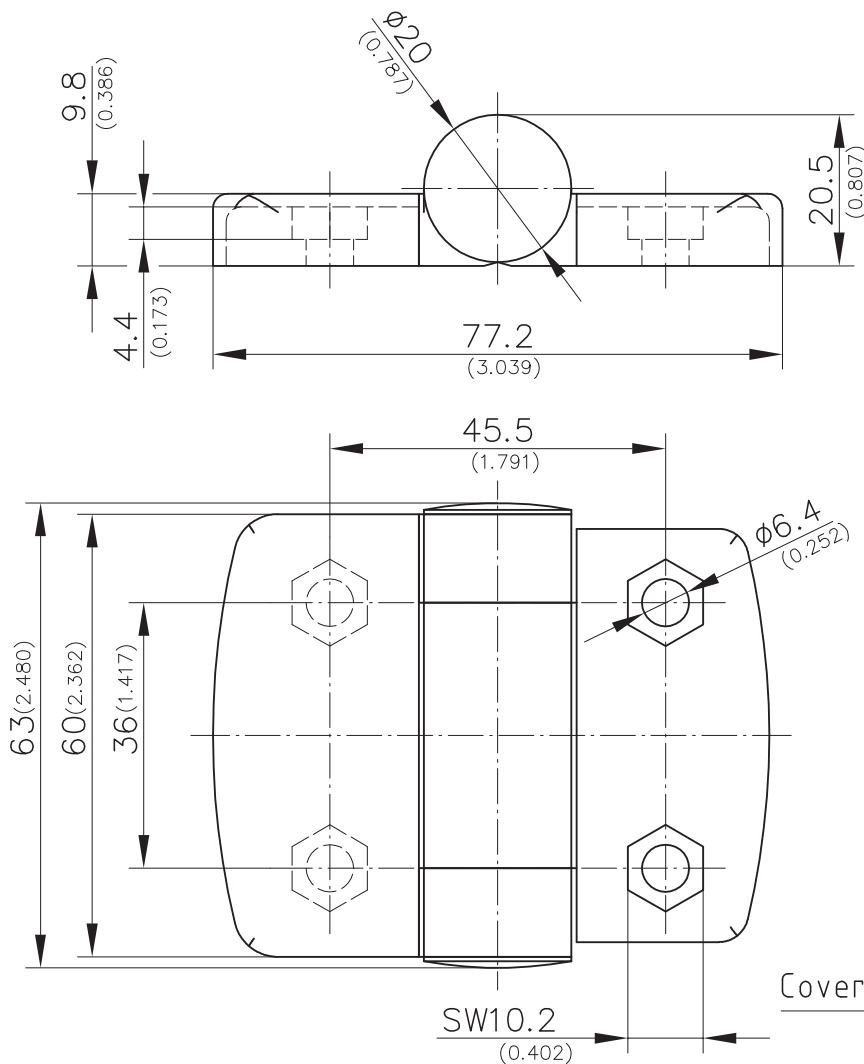


Product Notes:

- Constant torque through full range of motion.
- Adjustable torque from 0-5Nm
- Torque adjustment is made with a size four hexagon socket wrench in the hinge shaft
- Doors will remain in desired position
- Functions as a door stay for light duty applications
- Fasten to panel with M6 hexagon screws
- RH and LH application

Material:

- **Hinge and covers:** PA, Black
- **Pin:** Stainless Steel



Cover

Version
Torque Hinge

Nm
0-5

Part No.
703-9012