

4-708 Torque Hinge Pr01 270°

Nested door, Torque options - 0Nm - 5Nm

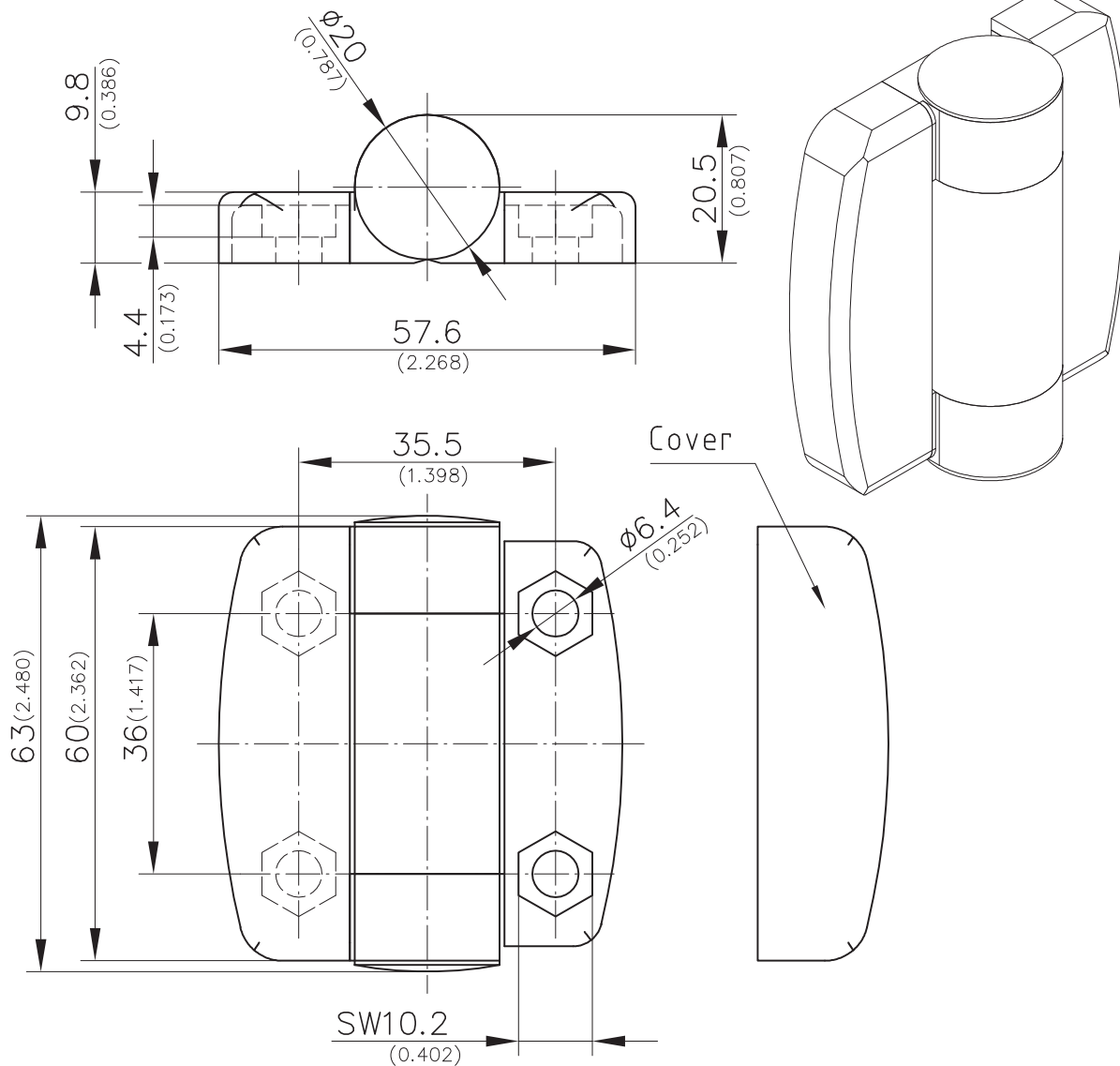


Product Notes:

- Constant torque throughout full range of motion
- Adjustable torque from 0-5Nm
- Torque adjustment is made with a size four hexagon socket wrench in the hinge shaft
- Doors will remain in desired position
- Functions as a door stay for light duty applications
- Fasten to panel with M6 hexagon screws
- RH and LH application

Material:

- **Hinge and covers:** PA, Black
- **Pin:** Stainless Steel



Version	Nm	Part No.
Torque Hinge	0-5	703-9011