

4-703 Torque Hinge Pr01 270°

Nested door, Torque options - 1.38Nm and 2.16Nm

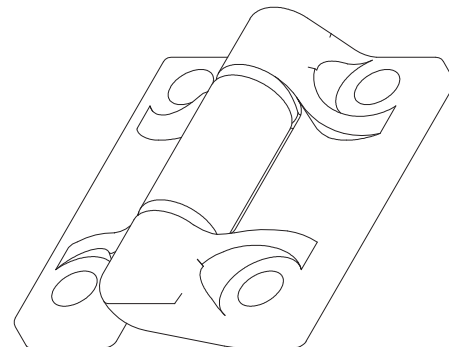
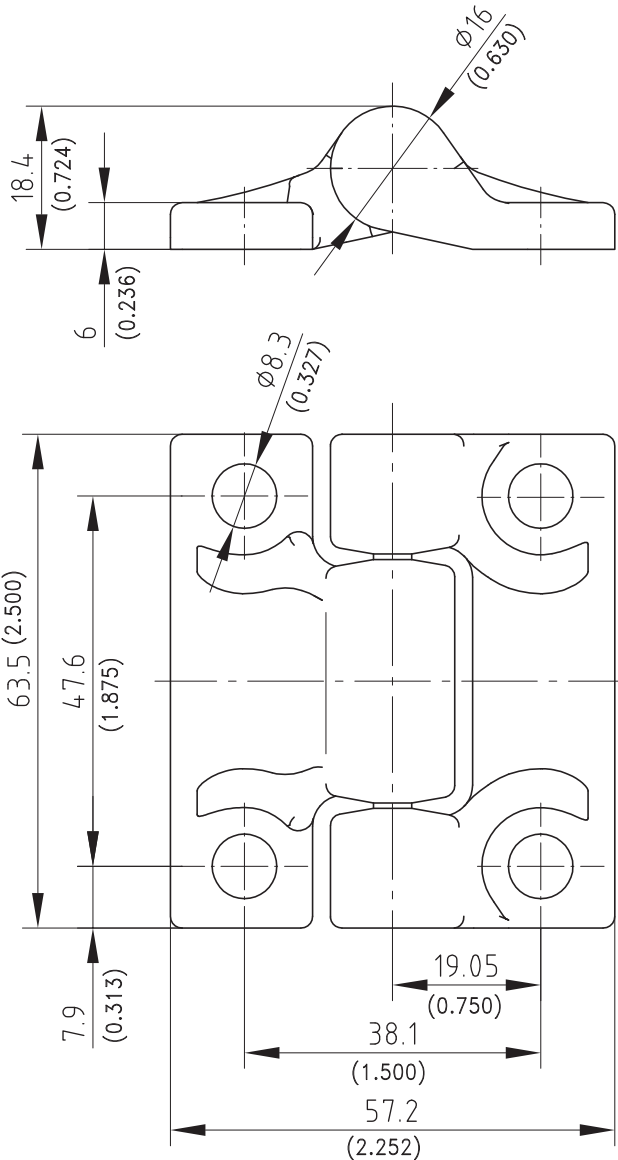
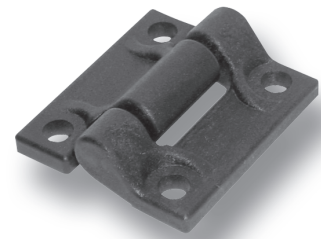


Product Notes:

- Constant torque throughout full range of motion
- Doors will remain in desired position
- Springback typically < 1°
- Life of > 10.000 cycles
- RH and LH application
- Fasten to panel with M8 screws
DIN-EN-ISO 4762

Material:

- **Housing:** PA
- **Shaft and torque clips:** Hardened Steel



Version	Nm	Part No.
Torque Hinge	1.38	703-9003.00-00140*
Torque Hinge	2.16	703-9003.00-00220*

Other Nm, surfaces and special solutions on request.

* Price and delivery time on request