

# 4-701 Torque Hinge Pr01 270°

Nested door, Torque options - 1.36Nm and 2.26Nm

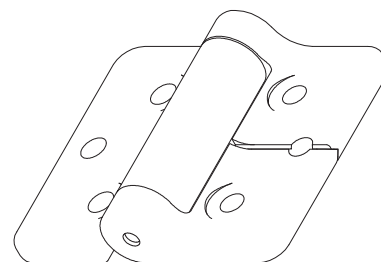
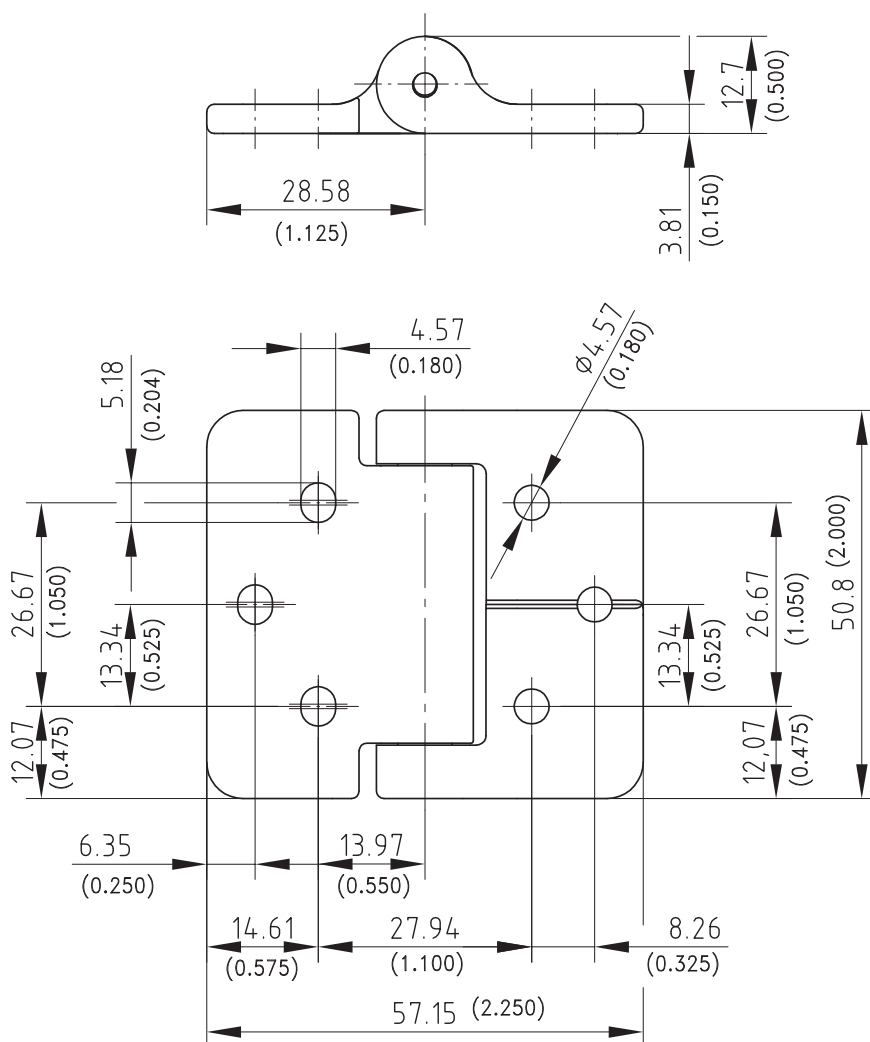


## Product Notes:

- Constant torque throughout full range of motion
- Doors will remain in desired position
- Springback typically < 1°
- Life cycles > 20,000 cycles
- RH and LH application
- Fasten to panel with M4 screws
- DIN-EN-ISO 4762

## Material:

- **Housing:** Zinc Die, Black Coated
- **Shaft and torque clips:** Hardened Steel



Version	Nm	Part No.
Torque Hinge	1.36	703-9001.00-00120*
Torque Hinge	2.26	703-9001.00-00200*
Other NM, surfaces and special solutions on request		

\* Price and delivery time on request