

4-243 Hinge Pr01 180°

Nested door, Detent

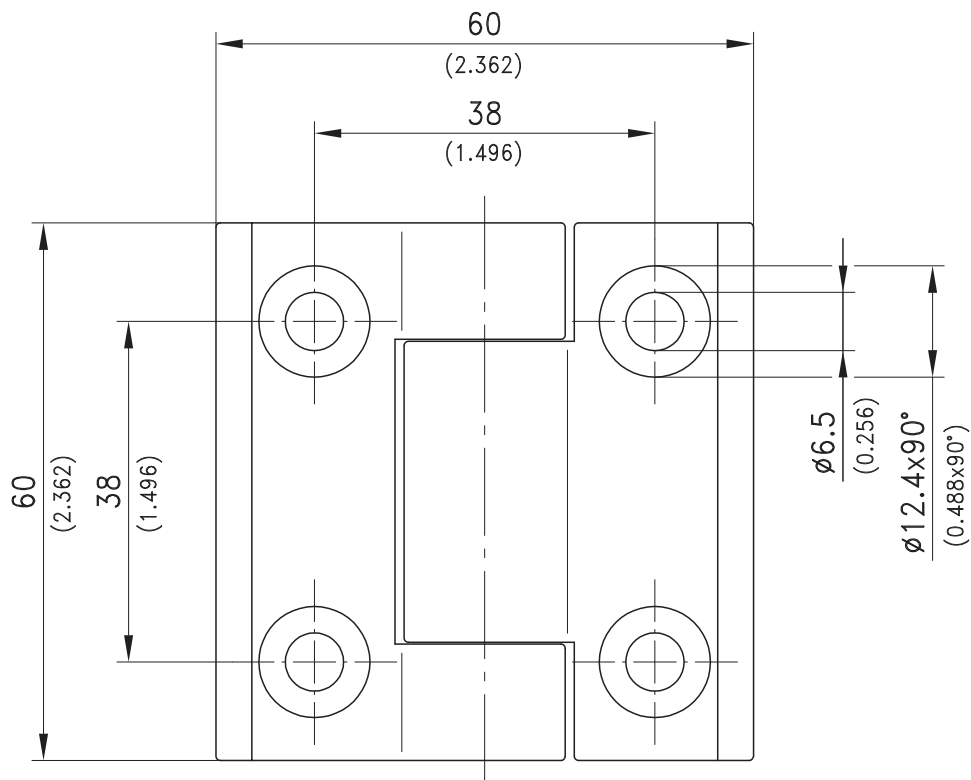
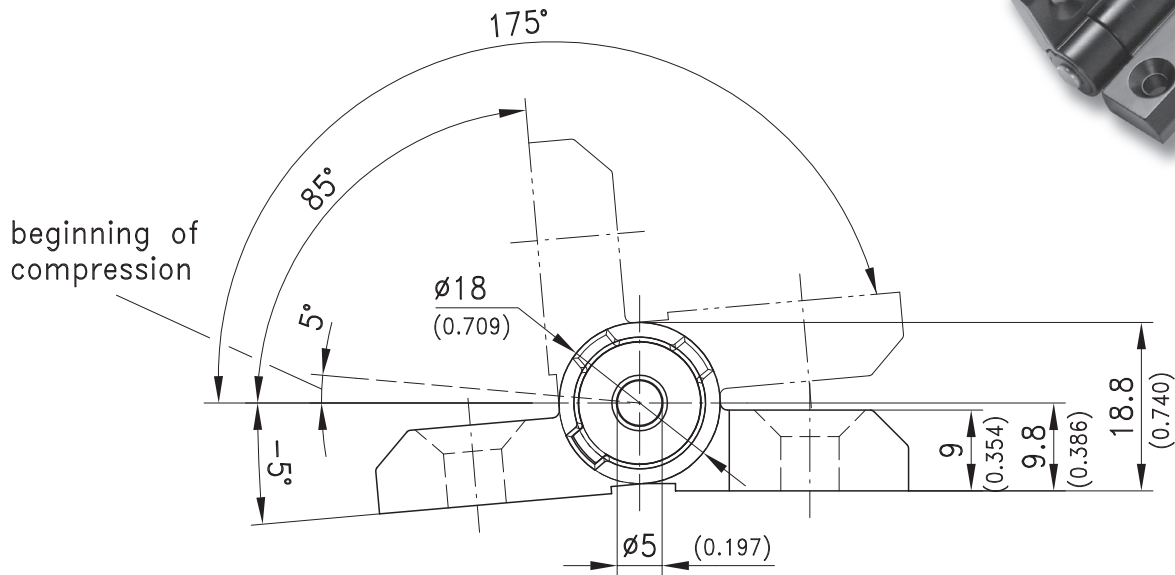


Product Notes:

- Heavy duty
- Detents at -5°, 85° and 175°
- Compression begins at 5° door position
- Negative detent position keeps the door firmly closed

Material:

- Leaves: Zinc Die, Black Coated



Hinge

Part No.
218-9213