

# 4-349SL Hinge Pr04 SNAP-LINE 180°

Tool-less installation, Surface mounted door, Lift-off

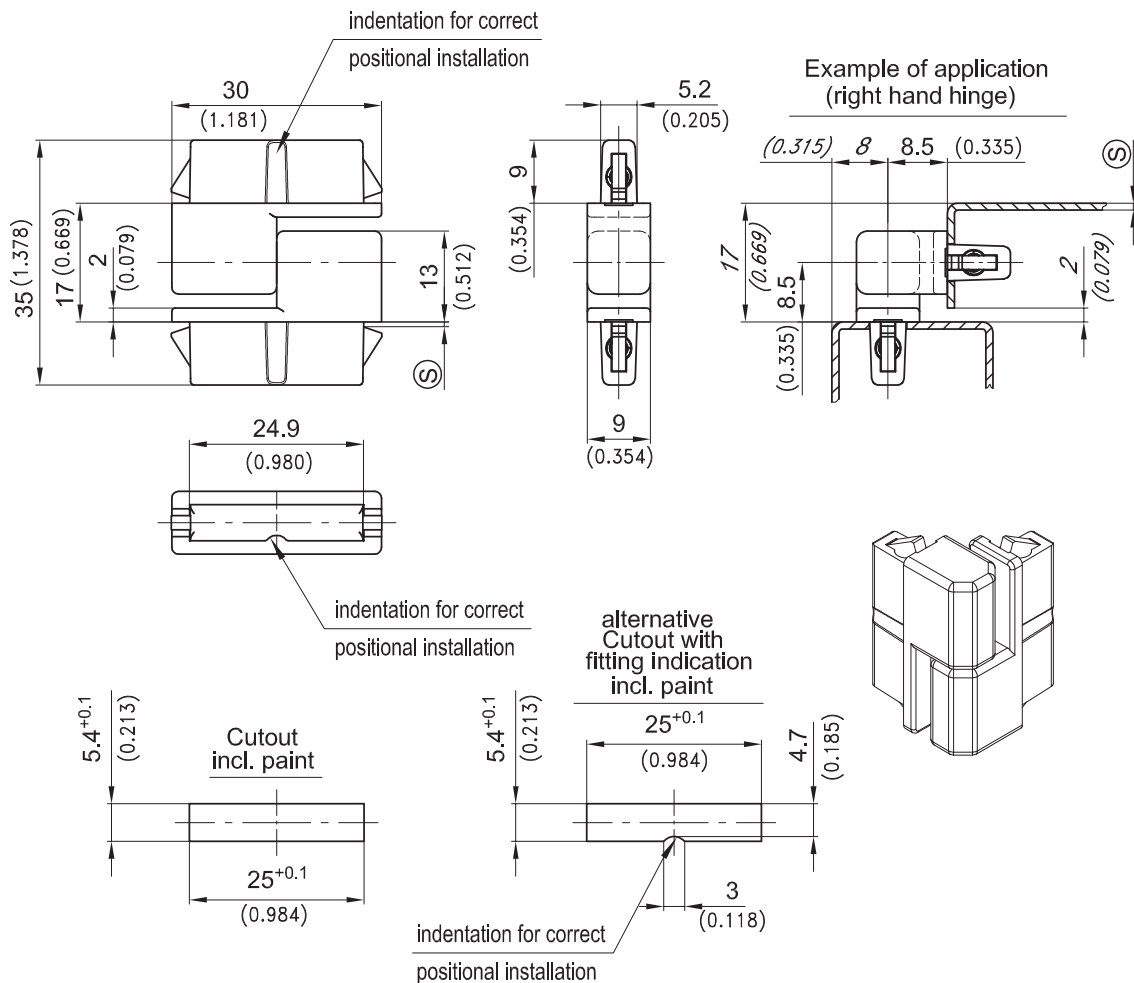
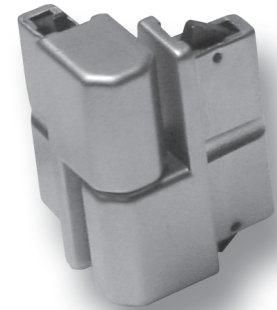


## Product Notes:

- 180° opening angle
- Lift-off
- RH and LH application
- Installed by a simple push into the cutout
- Cutouts may have indentations to ensure correct installation

## Material:

- **Leaves:** Zinc Die, Matt Chrome Plated
- **Other surfaces on request**
- **Pin:** Steel, Zinc Plated
- **Wings:** Sintered Steel



	Clamping Range <sup>Ⓢ</sup>	Part No.	See Page
<b>180° Hinge</b>	0.6 - 0.9	417-9201.00-00609	
	0.8 - 1.1	417-9201.00-00811	
	1.2 - 1.5	417-9201.00-01215	
	1.8 - 2.1	417-9201.00-01821	
	2.2 - 2.5	417-9201.00-02225	
<b>Other <sup>Ⓢ</sup> dimensions on request</b>			
<b>Tool for uninstallation</b>		292-0306.80-02530	10.17