

# 4-181 Hinge Pr05 180°

Surface mounted door, Adjacent cabinets, Lift-off, Door bending 25mm

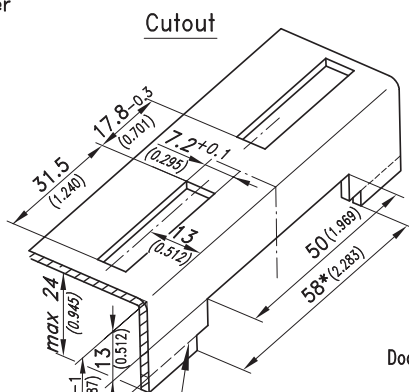
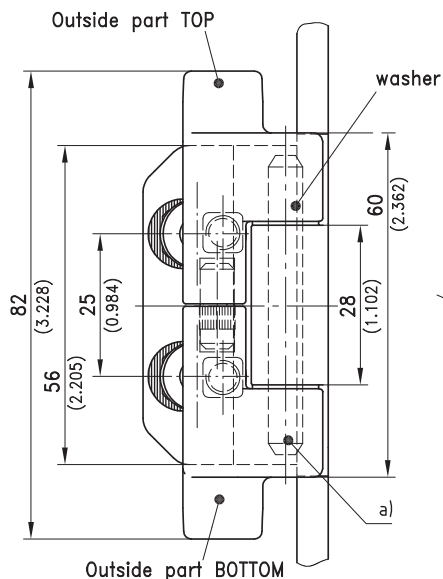


## Product Notes:

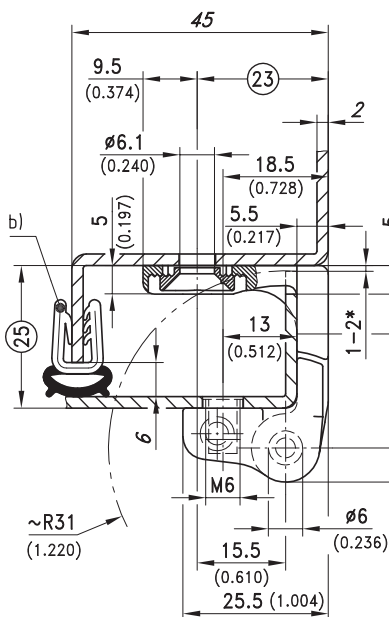
- Heavy duty
- RH and LH application
- Door can be lifted-off by loosening the screw of the bottom hinge
- Horizontal adjusting feature by sliding adjustable bushings.
- Door with notch (as drawn) can be applied RH and LH.

## Material:

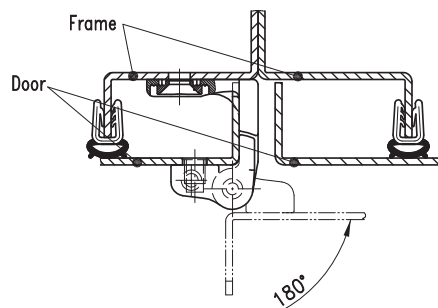
- **Leaves:** Zinc Die, Black Coated
- **Pin:** Steel, Zinc Plated
- **Washer:** Brass, Nickel Plated



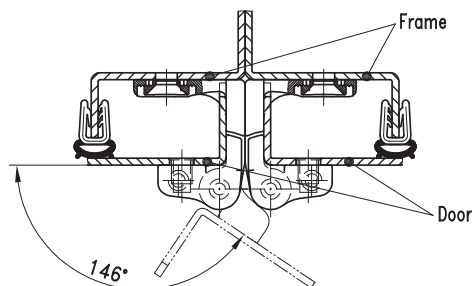
\*Only notch in case you prefer a narrow gap (1-2mm) between door and frame.



## Examples of applications



180° if hinges are installed on the left OR on the right.



146° if hinges are installed on the left AND on the right.

	Part No.	See Page
a) Hinge	212-9308	
b) Clip-on profile	209-0201	05.12