

4-182.05SL Hinge Pr05 SNAP-LINE 180°

Tool-less installation, Surface mounted door, IP65, Adjacent cabinets, Door bending 25mm

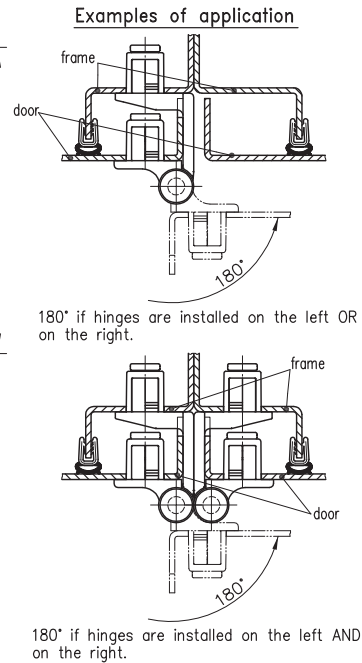
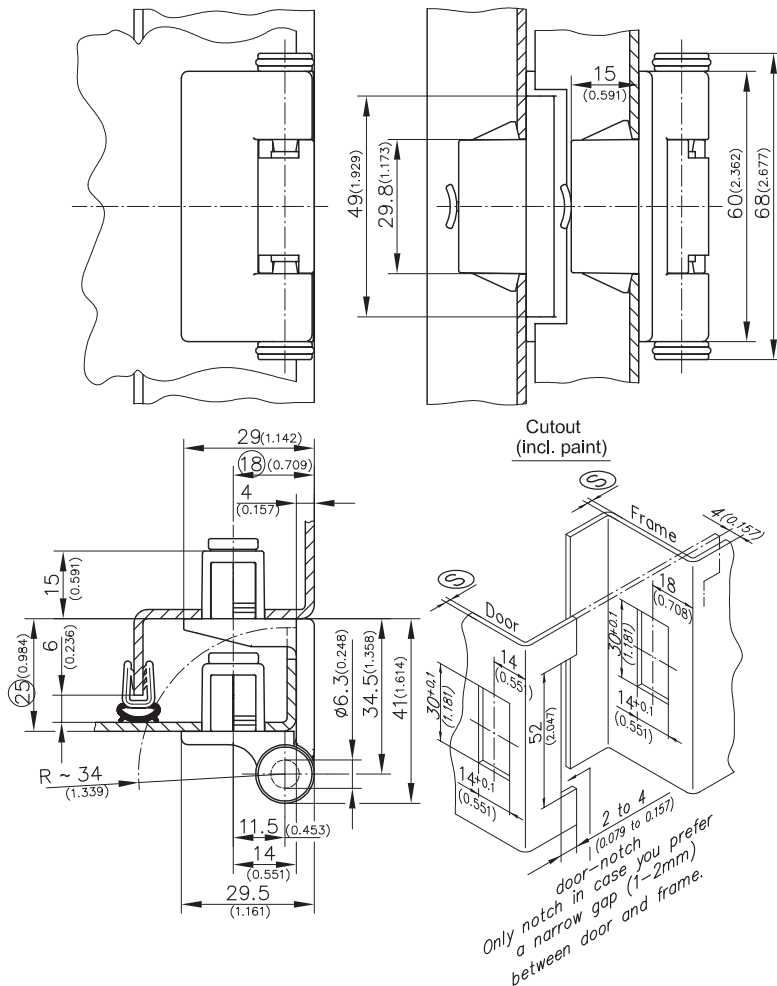
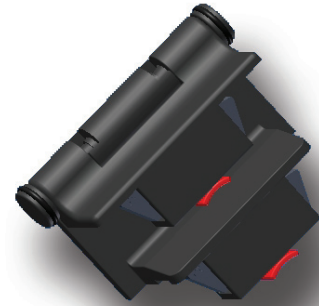


Product Notes:

- Lift-off
- Installed by a simple push into the cutout
- RH and LH application
- Door can be removed at 30° opening after pulling out the captive pins
- Captive pins detents hold in position
- Removal of the door - see Product System 4-182.04SL
- Water and dust tight according to IP65, DIN EN 60529 with O-rings (not included)
- Different installation method for leaves - see Product System 4-182.05 to 4-182.07SL

Material:

- **Frame leaf, Door leaf and pin:** Zinc Die, Black
- **Wings:** Sintered Metal, Coated
- **Detent spring:** Spring Steel



Hinge	Clamping Range (S)	Part No.	See Page
	1.2 - 1.7	412-9020.00-00015	
	1.7 - 2.2	412-9020.00-00020	
	2.2 - 2.7	412-9020.00-00025	
	2.7 - 3.2	412-9020.00-00030	
	3.2 - 3.7	412-9020.00-00035	
O-Ring 24x2mm		200-1005.00-02420	
Cover for cutout 30x14mm		292-0402.00-03014	10.14
Reinforcement plate for cutout 30x14 and 30x15		292-0701.15-01530	10.16
Tool for uninstallation		292-0306.80-02530	10.17
Tool for uninstallation		292-0301.15-00000	10.17