

4-182.05 Hinge Pr05 180°

Surface mounted door, Adjacent cabinets, Lift-off, Door bending 25mm

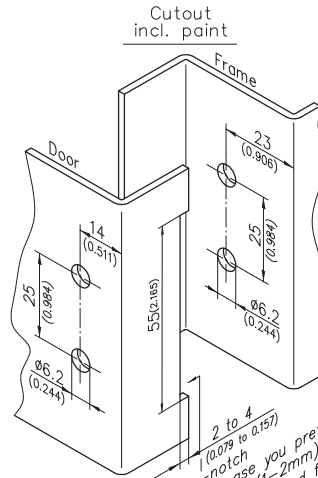
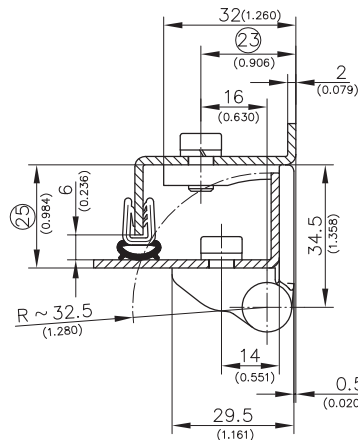
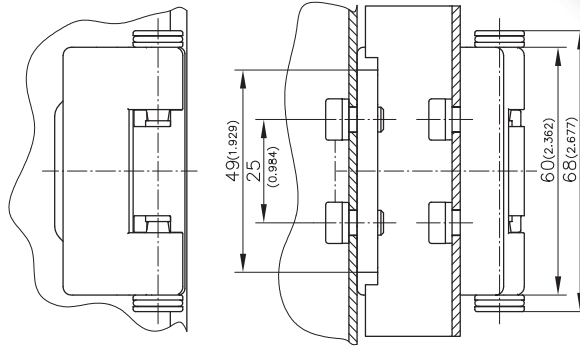


Product Notes:

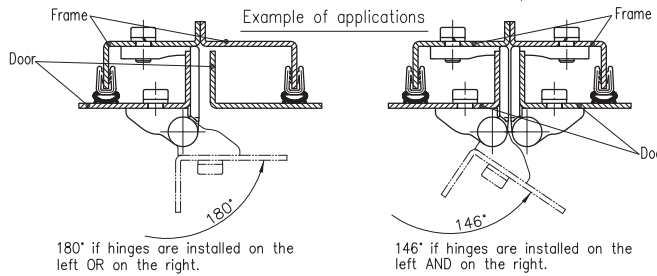
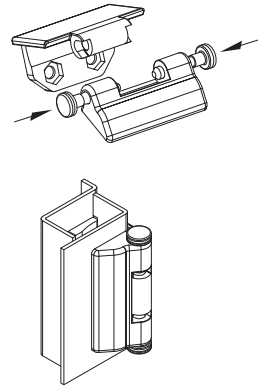
- Lift-off
- Fasten to panel from inside or outside
- RH and LH application
- Attaching door leaf with frame leaf:
 - 1) Position door at 30° opening
 - 2) Place the door leaf into the opening in frame leaf
 - 3) Push door leaf into frame leaf
 - 4) Push pins to secure hinge
- Door can be removed at 30° door opening after pulling out the captive pins
- Captive pins have detents to hold in position
- Use with Dual Hook SNAP-LINE Rod Guide to allow for door reversal - see Product System 3-960SL dimension ⑩
- Different installation method for leaves - see Product System 4-182.05 to 4-182.07SL

Material:

- **Frame leaf, Door leaf and pin:** Zinc Die, Black Coated
- **Detent spring:** Spring Steel



Assembling situation



Part No.
212-9085

Hinge 180°

Hinges are supplied including 4 hex. socket screws M6x10 DIN 7984, 4 washers 6 DIN 7980 and 2 nuts M6 DIN 439.