

4-182.03SL Hinge Pr05 SNAP-LINE 180°

Door leaf tool-less installation, Surface mounted door, Door bending 25mm

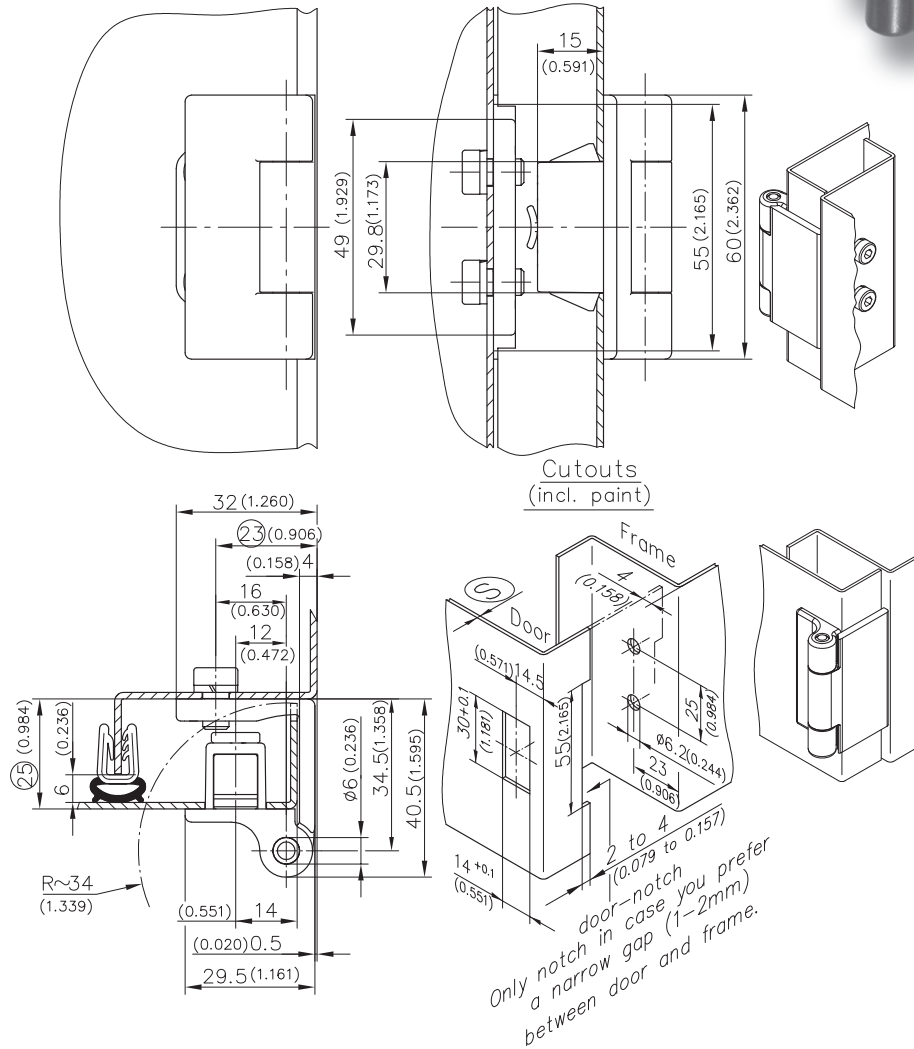


Product Notes:

- Accommodates adjacent cabinets
- Frame leaf fastens to panel with screws
Door leaf features tool-less installation
- Use with Dual Hook SNAP-LINE Rod Guide to allow for door reversal - see Product System 3-960SL dimension ⑩
- Different installation method for leaves - see Product System 4-182 to 4-182.03SL

Material:

- **Frame leaf:** Zinc Die, Black
- **Door leaf:** Zinc Die, Black
- **Wings:** Sintered Metal, Coated
- **Pin $\varnothing 6 \times 60$:** Stainless Steel
- **Washers:** Brass, Nickel Plated
- **Socket cylinder screws:** Steel, Zinc Plated
- **Nuts:** Steel, Zinc Plated
- **Spring washers:** Steel, Zinc Plated



Hinge	Clamping Range ③	Part No.	See Page
Tool-less installation - door leaf	1.2 - 1.7	412-9004.00-00015	
Screw-on - frame leaf	1.7 - 2.2	412-9004.00-00020	
	2.2 - 2.7	412-9004.00-00025	
	2.7 - 3.2	412-9004.00-00030	
	3.2 - 3.7	412-9004.00-00035	
2 socket cylinder screws M6x10 DIN 7984, 2 spring washers DIN 7980 and 2 nuts M6 DIN 439 are included.			
Cover for cutout 30x14mm		292-0402.00-03014	10.14
Reinforcement plate for cutout 30x14 and 30x15mm		292-0701.15-01530	10.16
Tool for uninstallation		292-0306.80-02530	10.17
Tool for uninstallation		292-0301.15-00000	10.17