

4-182 Hinge Pr05 180°

Surface mounted door, Adjacent cabinets, Lift-off, Door bending 25mm



Product Notes:

- Hinge mounting from inside or outside
- RH and LH application
- Easy lift-off through oblong holes.
- Use with Dual Hook SNAP-LINE Rod Guide to allow for door reversal - see Product System 3-960SL dimension 18.
- Different installation method for leaves - see Product System 4-182 to 4-182.03SL

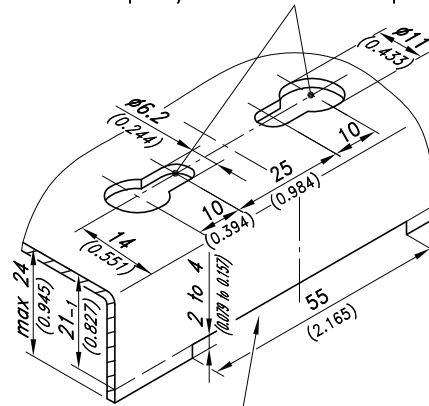
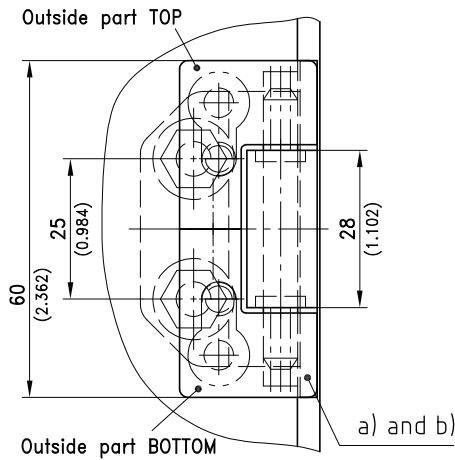
Material:

- **Leaves:** Zinc Die, Black Coated
- **Pin:** Steel, Zinc Plated
- **Washer:** Brass

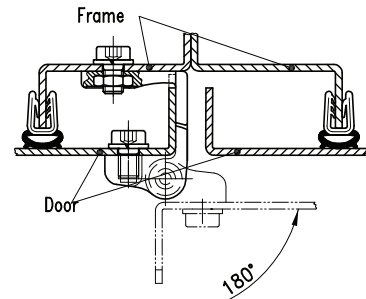


Cutout

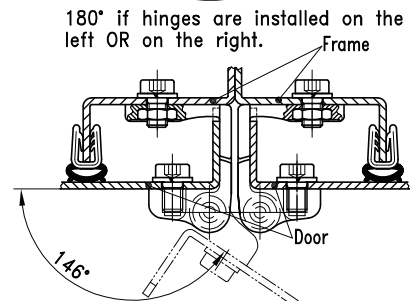
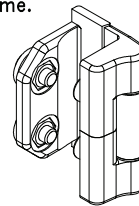
- Holes as shown: undo lower bolt 1/4 turn, take off lower part and lift off door.
- 2 round holes $\varnothing 6,2\text{mm}$ (0.244), 25mm (0.984) apart: undo lower bolt completely and take off lower part.



Examples of application

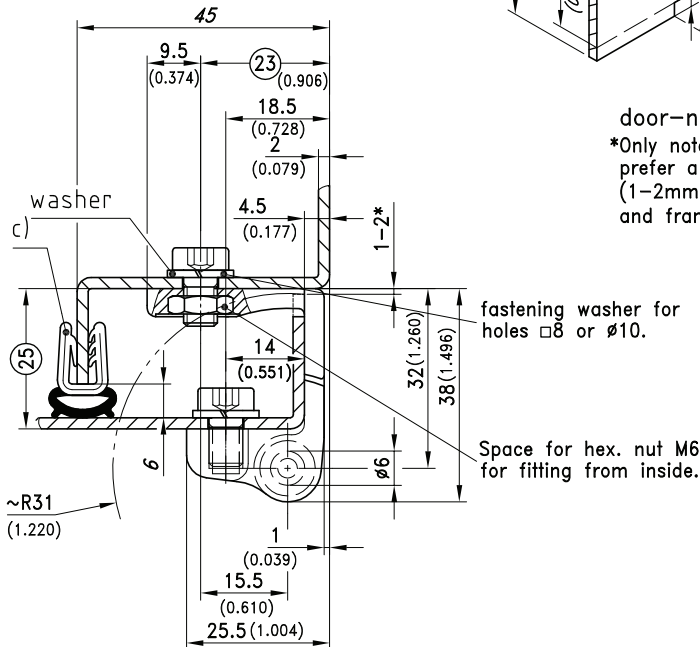


door-notch
*Only notch in case you prefer a narrow gap (1-2mm) between door and frame.



180° if hinges are installed on the left OR on the right.

146° if hinges are installed on the left AND on the right.



Version	Part No.	See Page
a) Fastening from outside, with threaded frame / M6 nuts Hinges are supplied including 4 hex. socket screws, spring washers and 2 nuts M6.	212-9302	
b) Fastening from inside (as drawn), with fastening washer for frame hole $\square 8$ or $\varnothing 10$ Hinges are supplied including 4 hex. socket screws, spring washers, 2 locking washers and 2 nuts M6.	212-9303	
c) Clip-on profile	209-0201	05.12