

# 4-184.05SL Hinge Pr05 SNAP-LINE 180°

Door leaf tool-less installation, Surface mounted door, Lift-off, Door bending 25mm

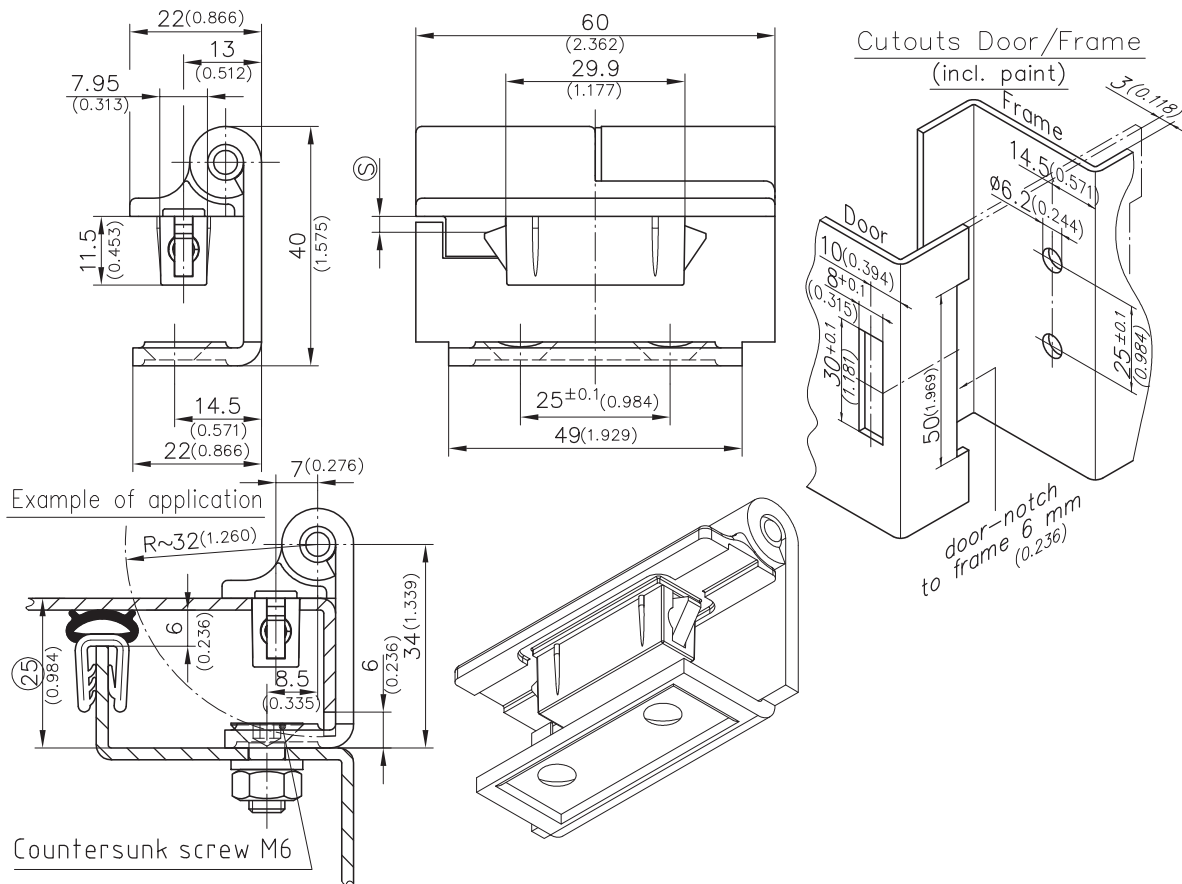


## Product Notes:

- Accommodates adjacent cabinets
- Frame leaf fastens to panel from outside with M6 countersunk screws.
- Door leaf features tool-less installation
- Version with steel frame leaf available
- To allow lift-off door must be open 30°
- RH and LH version
- Attaching door leaf with frame leaf:
  - 1) Position door at 30° opening.
  - 2) Place the door leaf onto the frame leaf
  - 3) Close door
- Door-notch on the door (50mm) is concealed by the hinge (60mm).
- Both leaves tool-less installation - see Product System 4-184.01SL

## Material:

- **Door leaf:** Zinc Die, Black
- **Frame leaf:** Steel, Black
- **Wings:** Sintered Steel
- **Pin:** Stainless Steel
- **Spring:** Spring Steel
- **Washer:** Brass, Nickel Plated
- **Other surfaces on request**



	Clamping Range ⑤ Door	RH (as drawn)	LH	See Page
<b>180° Hinge</b>	1.3 - 2.0	412-9016.00-00015	412-9017.00-00015	
	1.8 - 2.5	412-9016.00-00020	412-9017.00-00020	
	2.3 - 3.0	412-9016.00-00025	412-9017.00-00025	
	2.8 - 3.5	412-9016.00-00030	412-9017.00-00030	
<b>Other ⑤ dimensions on request</b>				
<b>Reinforcement plate for cutout 30x8 and 30x10mm</b>		292-0702.15-01030	292-0702.15-01030	10.16
<b>Tool for uninstallation</b>		292-0306.80-02530	292-0306.80-02530	10.17