

4-184.01SL Hinge Pr05 SNAP-LINE 180°

Tool-less installation, Surface mounted door, IP65, Lift-off, Door bending 20mm

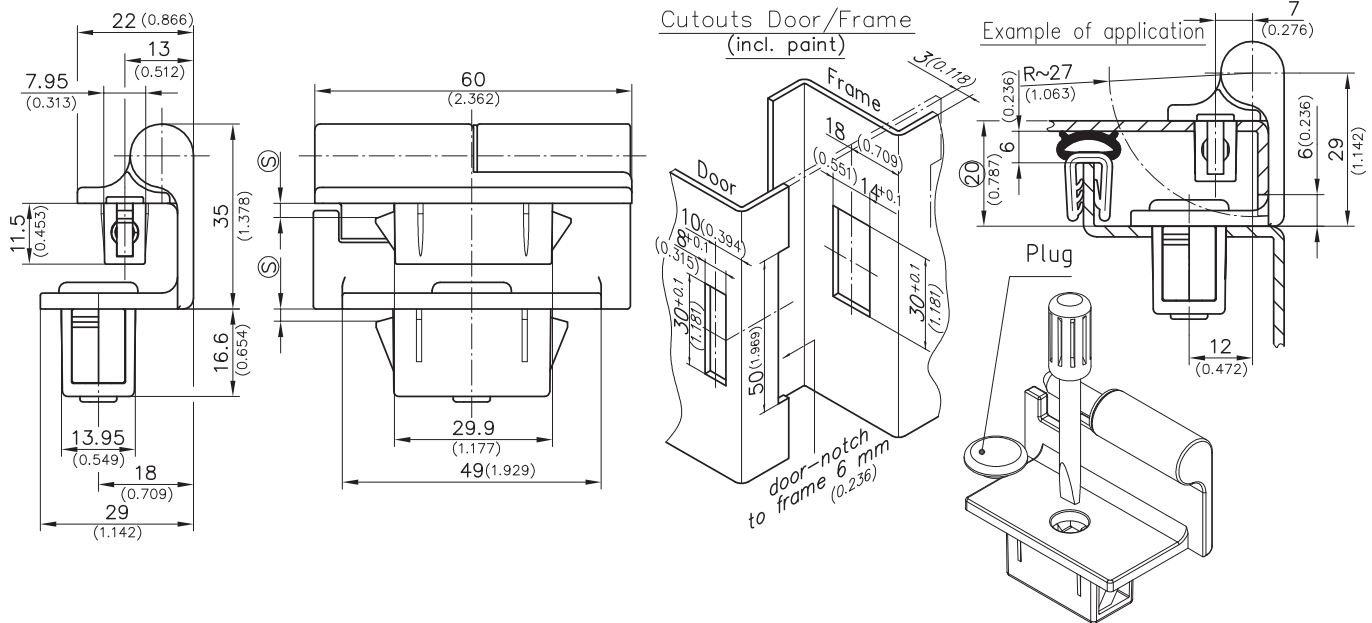


Product Notes:

- Accommodates adjacent cabinets
- To allow lift-off door must be open 30°
- RH and LH version
- Attaching door leaf with frame leaf:
 - 1) Position door at 30° opening.
 - 2) Place the door leaf onto the frame leaf
 - 3) Close door
- Installed by a simple push into the cutout
- To uninstall frame leaf remove plug and disengage leaf from outside with screw driver or from inside with tool
- Door-notch at the door (50mm) is concealed by the hinge (60mm)
- Frame leaf screw-on - see Product System 4-184.05SL

Material:

- **Leaves:** Zinc Die, Black
- **Wings:** Sintered Steel
- **Pin:** Stainless Steel
- **Spring:** Spring Steel
- **Washer:** Brass, Nickel Plated
- **Plug:** NBR, black
- **Other surfaces on request**



	Clamping Range Ⓢ Door	Clamping Range Ⓢ Frame	RH (as drawn)	LH	See Page
180° Hinge	1.3 - 2.0	1.4 - 1.7	412-9008.00-01515	412-9009.00-01515	
	1.8 - 2.5	1.8 - 2.1	412-9008.00-02020	412-9009.00-02020	
	2.3 - 3.0	2.2 - 2.5	412-9008.00-02523	412-9009.00-02523	
	2.8 - 3.5	2.8 - 3.1	412-9008.00-03030	412-9009.00-03030	

Other Ⓢ dimensions on request

Optional:

Water and dust tight according to IP65 by:

Flat external seal*	209-3301	209-3301
----------------------------	----------	----------

* If you use the external seal, please order a larger Clamping Range.

Cover for cutout 30x14mm	292-0402.00-03014	292-0402.00-03014	10.14
Reinforcement plate for cutout 30x14 and 30x15mm	292-0701.15-01530	292-0701.15-01530	10.16
Reinforcement plate for cutout 30x8 and 30x10mm	292-0702.15-01030	292-0702.15-01030	10.16
Tool for uninstallation	292-0306.80-02530	292-0306.80-02530	10.17