

4-183 Hinge Pr05 180°

Surface mounted door, Adjacent cabinets, Lift-off, Door bending 25mm

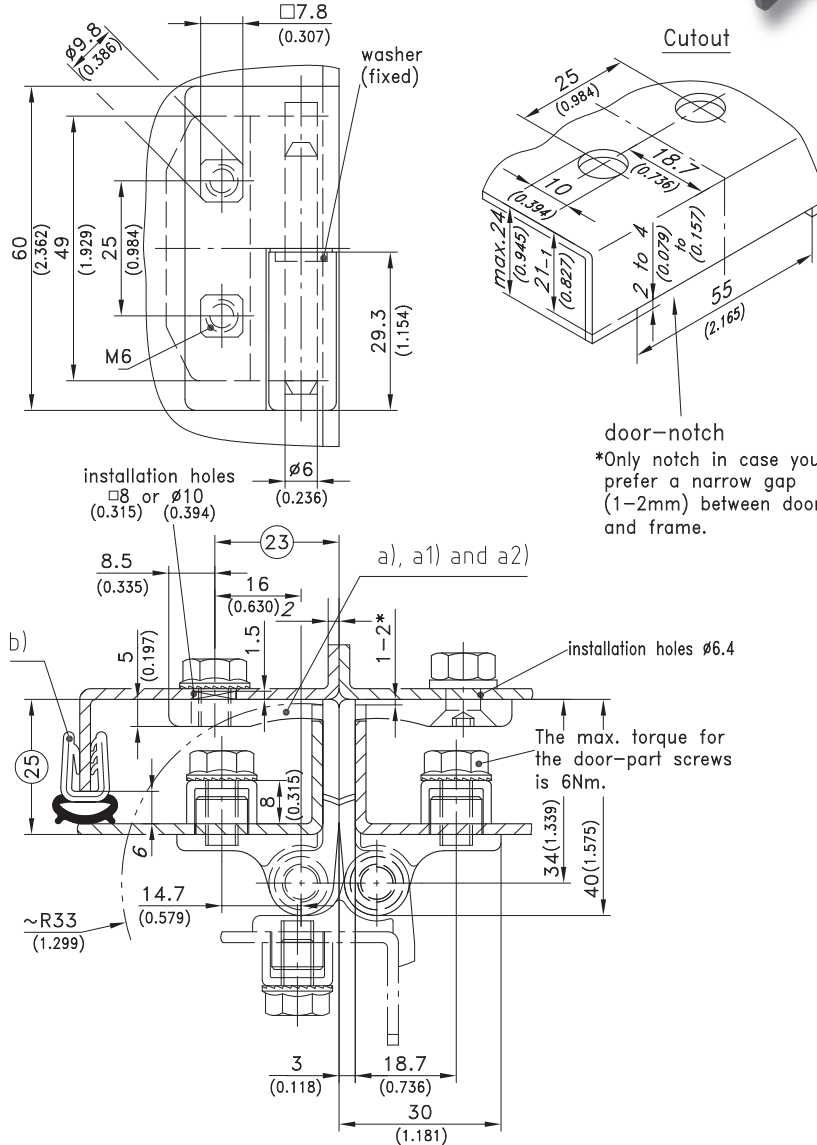
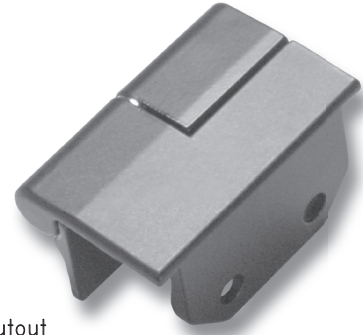


Product Notes:

- Lift-off
- 180° opening angle
- Fasten to panel from inside with M6 threaded stubs.
Fasten to panel from outside with 6mm screws
- Optional notch in the bending (dimension 55) is concealed by 60mm wide frame leaf
- Door-thickness up to 4mm

Material:

- **Leaves:** Zinc Die, Black Coated or Chrome Plated
- **Pin:** Stainless Steel
- **Washer:** Brass
- **Door leaf:** Zinc Die, Black Coated
- **Frame leaf:** Steel, Black Coated
- **Pin:** Stainless Steel
- **Washer:** Stainless Steel



Version	Chrome Plated RH	Chrome Plated LH	Black RH	Black LH	See Page
a) Frame leaf (Zinc Die) with M6 and threaded stubs	212-9042	212-9044	212-9046	212-9048	
a1) Frame leaf (Zinc Die) with 6.4mm countersunk holes for M6	212-9043	212-9045	212-9047	212-9049	
a2) as a), but with steel frame leaf	-	-	212-9082	212-9083	
b) Clip-on profile			209-0201		05.12