

4-185 Hinge Pr05 180°

Surface mounted door, Adjacent cabinets, Door bending 25mm

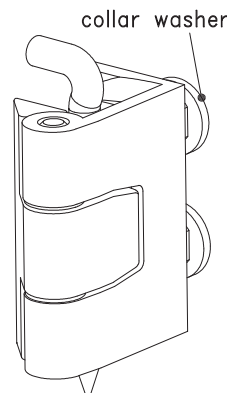
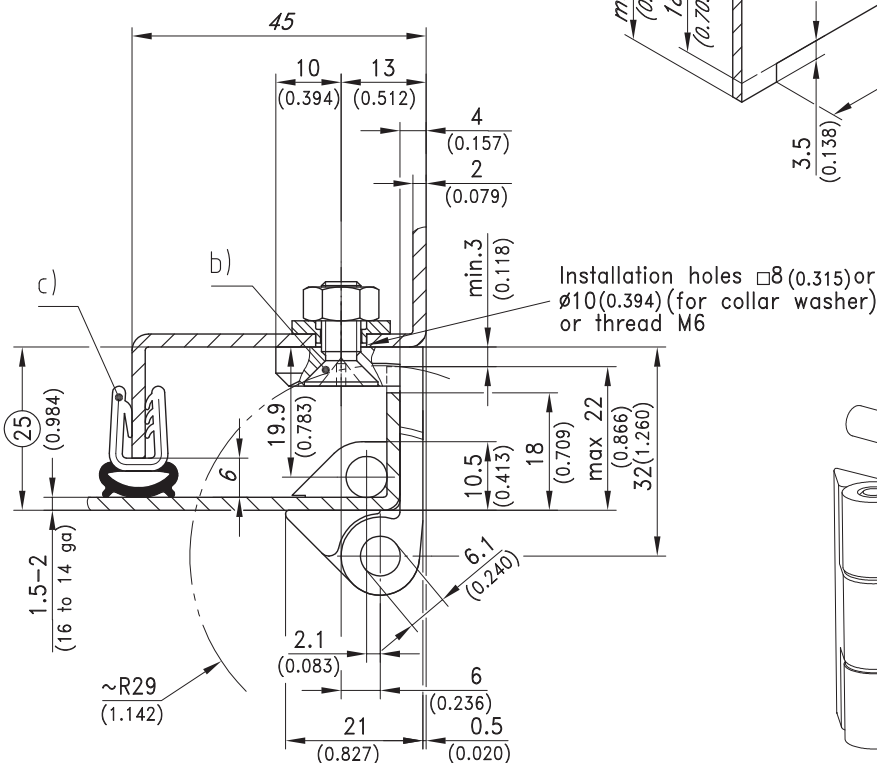
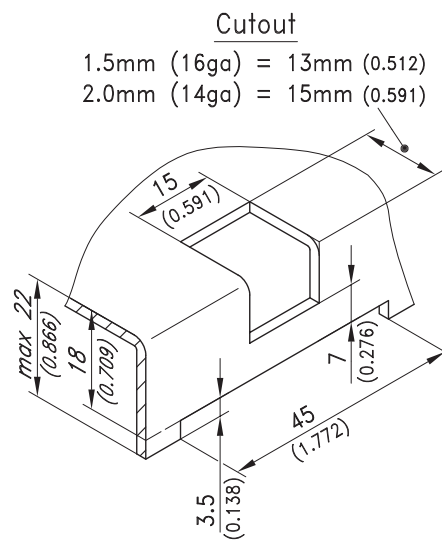
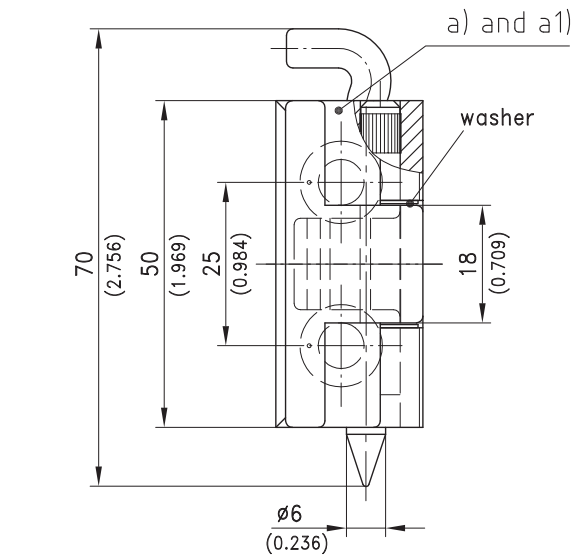
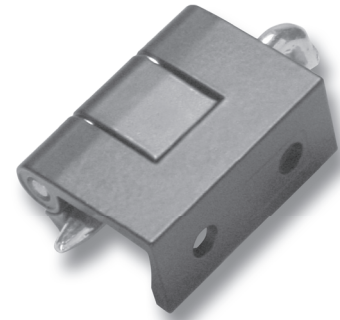


Product Notes:

- RH and LH application

Material:

- **Leaves:** Zinc Die, Chrome Plated or Black Coated
- **Washer:** Brass, Nickel Plated
- **Pin:** Steel, Zinc Plated
- **Collar washer:** Steel, Zinc Plated



Hinge	Zinc Die Chrome Plated	Zinc Die Black	See Page
a) With countersunk holes and collar washers, cutout $\phi 10$ or $\square 8$	212-9050	212-9037	
a1) With countersunk holes for 6mm screws, cutout $\phi 6$	212-9088	212-9038	
b) Countersunk machine screws Zinc Plated			10.22
c) Clip-on profile		209-0201	05.12