

4-161SL Hinge Pr05 SNAP-LINE 180°

Frame leaf tool-less installation, Surface mounted door, IP65, Adjacent cabinets, Door bending 20mm

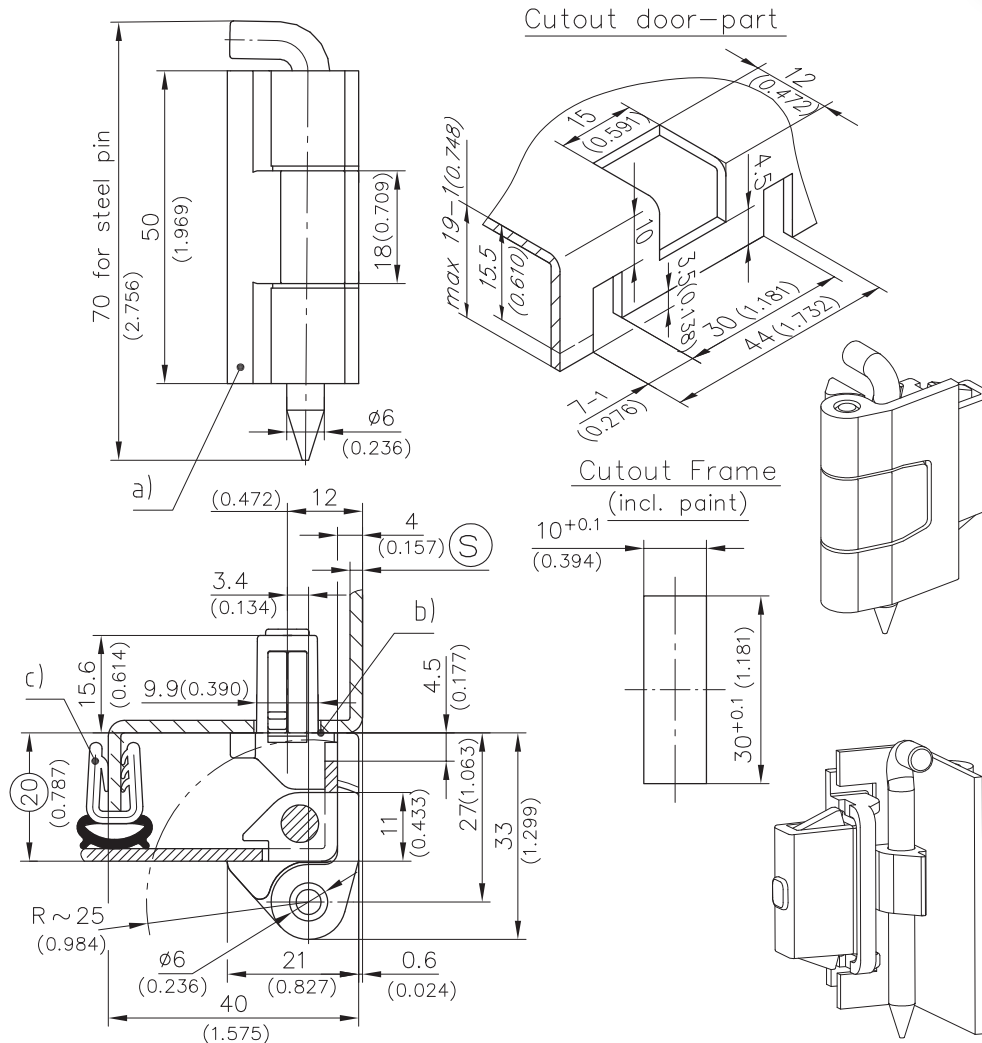


Product Notes:

- Accommodates adjacent cabinets
- RH and LH application
- Closed cutout provides a stronger door bending.
- Frame leaf Installed by a simple push into the cutout
- Water and dust tight according to IP65, DIN EN 60529 with O-rings (not included)
- Screw-on - see Product System 4-161

Material:

- **Leaves:** Zinc Die, Black
- **Pin:** Steel, Zinc Plated
- **Pivot pin:** Steel, Zinc Plated
- **Washers:** Brass, Nickel Plated
- **Wings:** Sintered Metal, Coated



a) Hinge	Clamping Range [Ⓢ]	Part No.	See Page
	1.2 - 1.7	412-9003.00-00015	
	1.7 - 2.2	412-9003.00-00020	
	2.2 - 2.7	412-9003.00-00025	
	2.7 - 3.2	412-9003.00-00030	
b) O-ring		839-3770.00-02022	
c) Gasket		209-0201.00-00000	05.12
Cover for cutout 30x10mm		292-0401.00-03010	10.14
Reinforcement plate for cutout 30x8 and 30x10mm		292-0702.15-01030	10.16
Tool for uninstallation		292-0306.80-02530	10.17