

4-161 Hinge Pr05 180°

Surface mounted door, Adjacent cabinets, Door bending 20mm

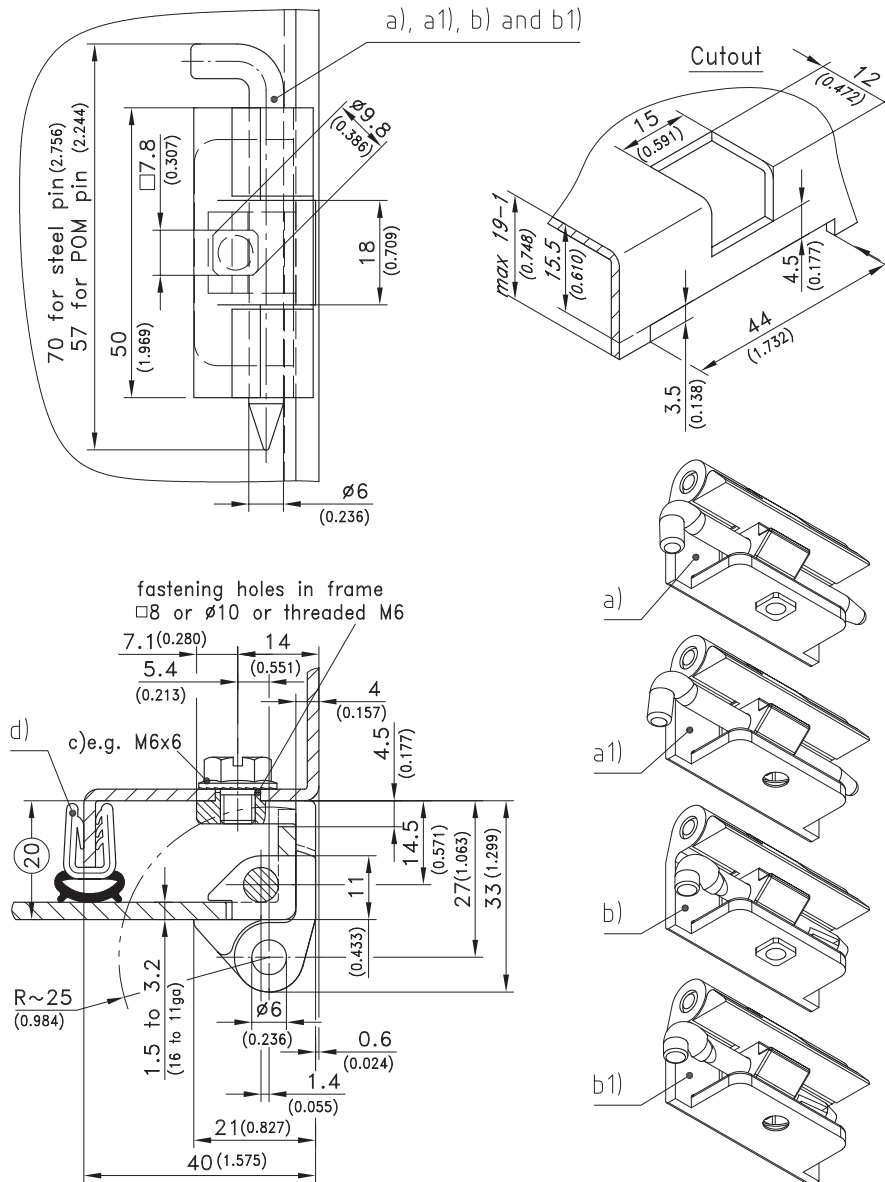
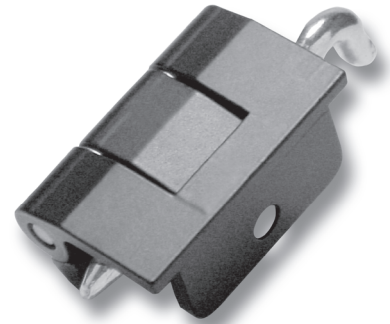


Product Notes:

- RH and LH application
- Tool-less installation - see Product System 4-161SL

Material:

- **Leaves:** Zinc Die, Chrome Plated or Black Coated
- **Washer:** Brass, Nickel Plated
- **Pin:** Steel, Zinc Plated or POM



Frame leaf	Door Thickness 1.5 to 2 (16 to 14ga)		Door Thickness 2.5 to 3.2 (12 to 11ga)	See Page
	black	Chrome Plated*	black	
a) M6 threaded stubs	212-9027	212-9025	212-9527	
a1) Countersunk for M6	212-9028	212-9026	212-9528	
b) M6 threaded stubs and pin, POM	212-9035	212-9033	212-9535	
b1) Countersunk for 6mm and pin, POM	212-9036	212-9034	212-9536	
* Chrome Plated version on request				
c) Screws, e.g. M6x6				10.22, 10.23
d) Clip-on profile			209-0201	05.12