

4-180 Hinge Pr05 180°

Surface mounted door, Adjacent cabinets, Lift-off, Door bending 25mm

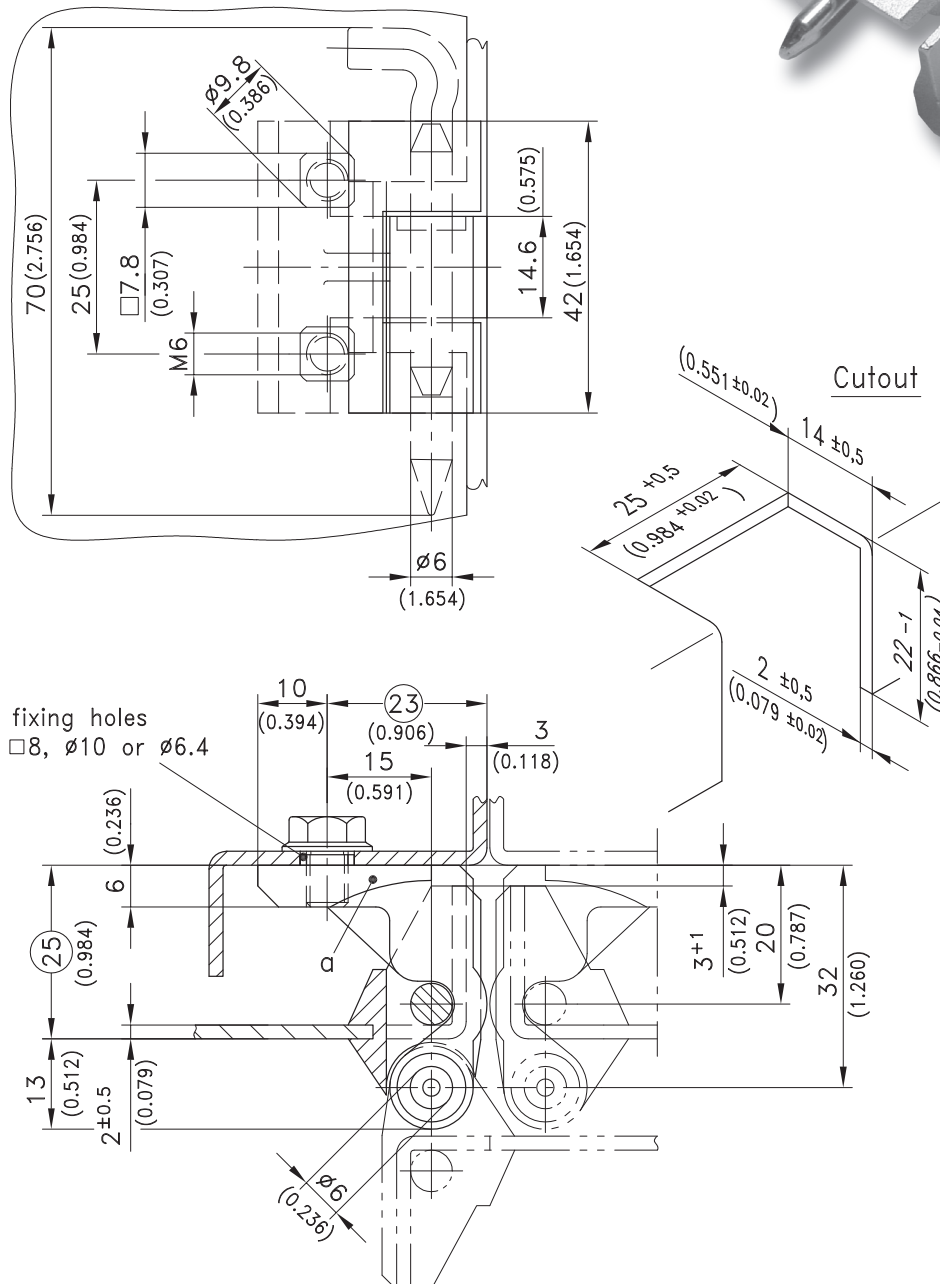
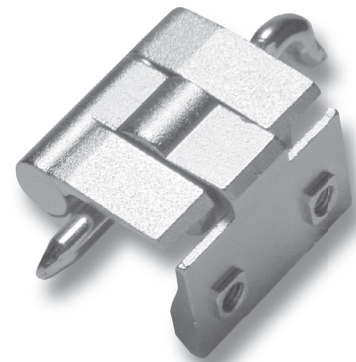


Product Notes:

- Lift-off
- Use M6 threaded stubs for fastening from inside.
Use Ø6.4mm countersunk holes for fastening from outside
- Hinge is interchangeable with the hinge shown in Product System 4-170.

Material:

- **Leaves:** Zinc Die, Chrome Plated or Black Coated
- **Pin:** Stainless Steel
- **Pin:** Steel, Zinc Plated



Hinge	Chrome Plated RH	Chrome Plated LH	Black RH	Black LH	See Page
a) Frame leaf with M6 threaded stubs	212-9021	212-9023	212-9015	212-9017	
a1) Frame leaf with countersunk Ø6.4 for M6	212-9022	212-9024	212-9016	212-9018	
Hinges for door thickness > 2mm					04.158
Screws					10.22, 10.23