

4-170 Hinge Pr05 180°

Surface mounted door, Single cabinet, Door bending 25mm

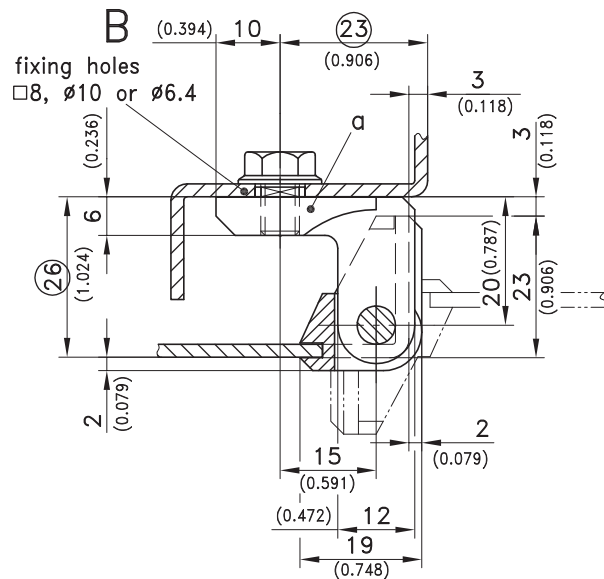
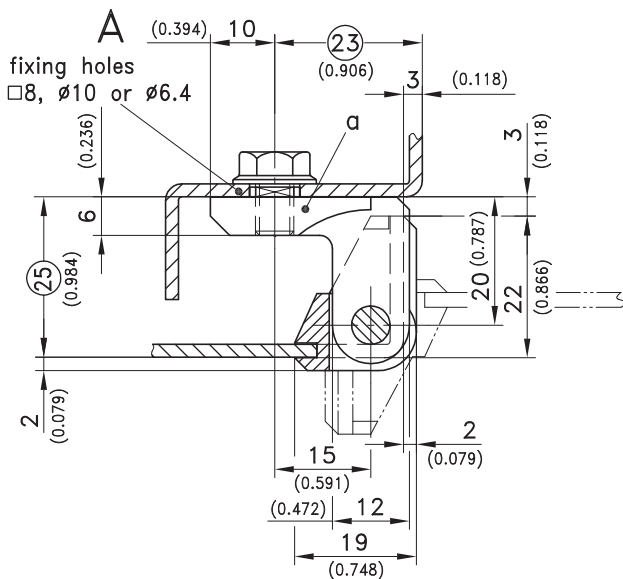
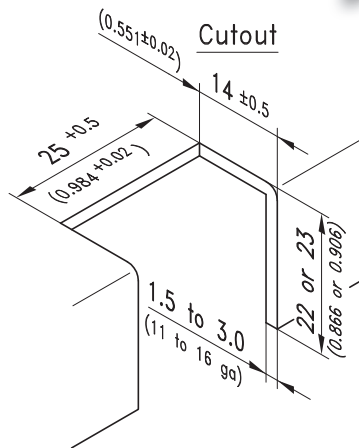
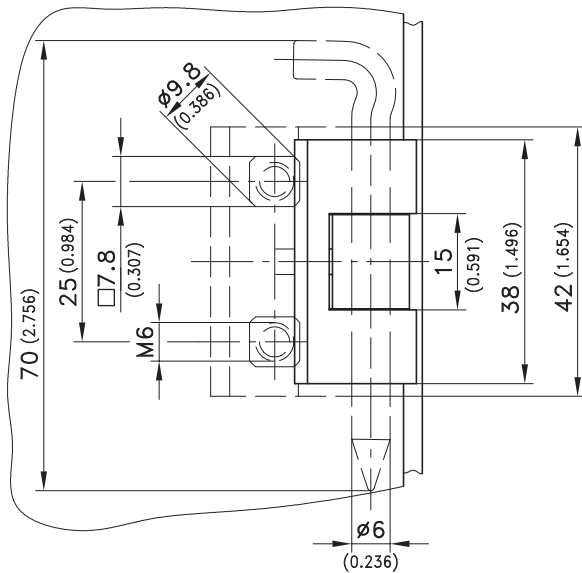


Product Notes:

- RH and LH application
- Use M6 threaded stubs for fastening from inside
Use Ø6.4mm countersunk holes for fastening from outside
- Fully interchangeable with the hinge 4-180

Material:

- **Leaves:** Zinc Die, Chrome Plated or Black Coated
- **Pin:** Steel, Zinc Plated or Stainless Steel



	A		B		
	Door Thickness		Door Thickness		See Page
	1.5 to 2 (16 to 14ga)		2.5 to 3.2 (12 to 11ga)		
Frame leaf	Chrome Plated	Black	Chrome Plated	Black	
a) With M6 threaded stubs	212-9019	212-9013	212-9519	212-9513	
a1) Countersunk Ø6.4 for M6	212-9020	212-9014	212-9520	212-9514	
a2) With stainless steel pin, Ø6.4 for M6	-	212-9065	-	-	
Version with pin made of stainless steel or POM on request.					
Screws					10.22, 10.23