

7-136 Hinge Pr05 180°

Surface mounted door, Stainless Steel, IP65, Single cabinet, Door bending 25mm

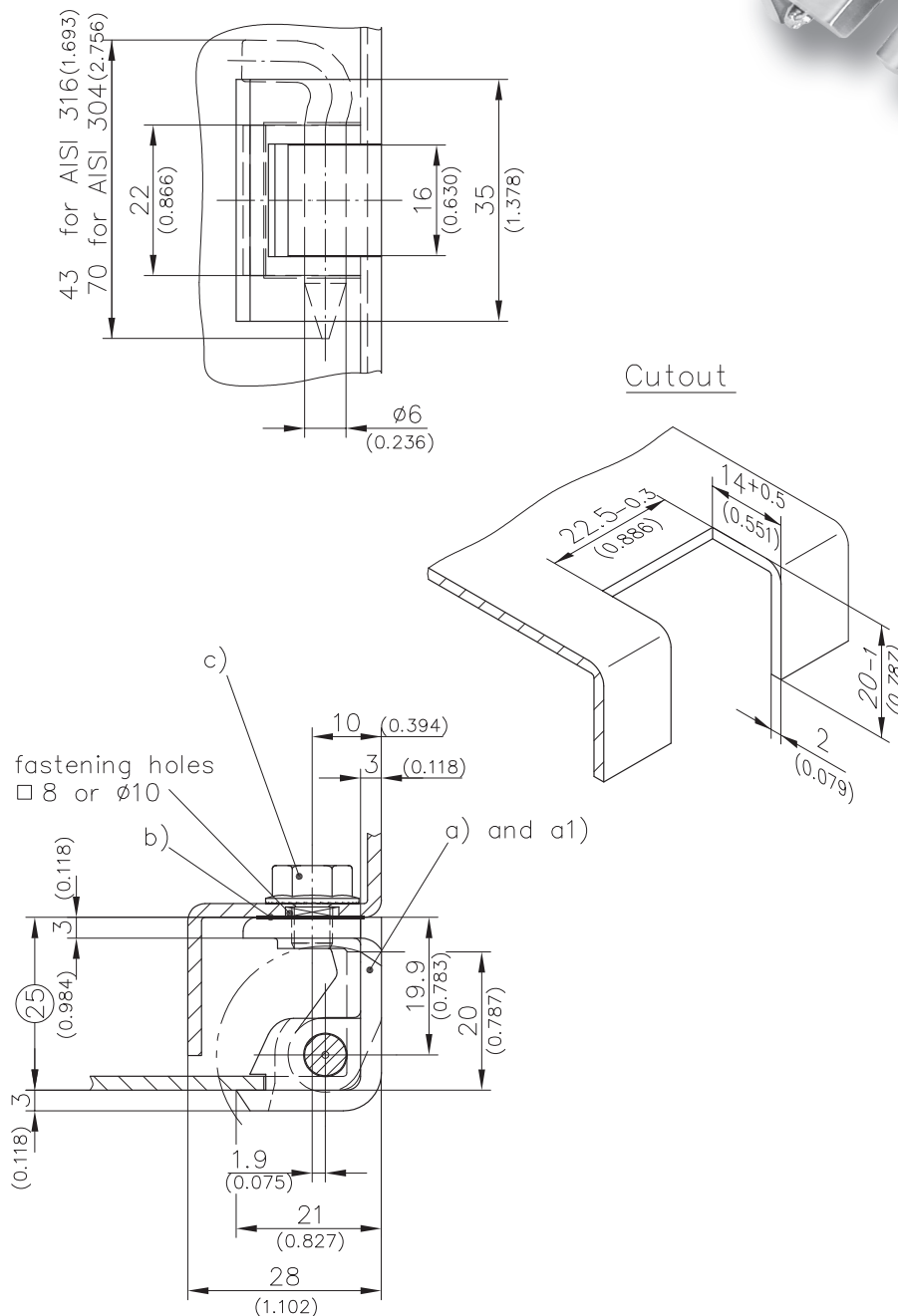


Product Notes:

- RH and LH application
- Fasten frame leaf to panel with M6 threaded square stub
- Installation from inside
- Frame leaf has a reinforcement rib

Material:

- **Frame leaf, bridge and pin:**
Stainless Steel AISI 316



180° Hinge	Part No.	See Page
a) Door thickness 2mm/0.079 and pin-length 43mm/1.693 AISI 304	212-9712	
a1) Door thickness 2mm/0.079 and pin-length 70mm/2.756 AISI 316	212-9715	
b) Flat external seal for IP65	212-0425	
c) Selflocking hexagon screw M6x6		10.22