

# 7-135 Hinge Pr05 180°

Surface mounted door, Stainless Steel, Adjacent cabinets, Door bending 20mm

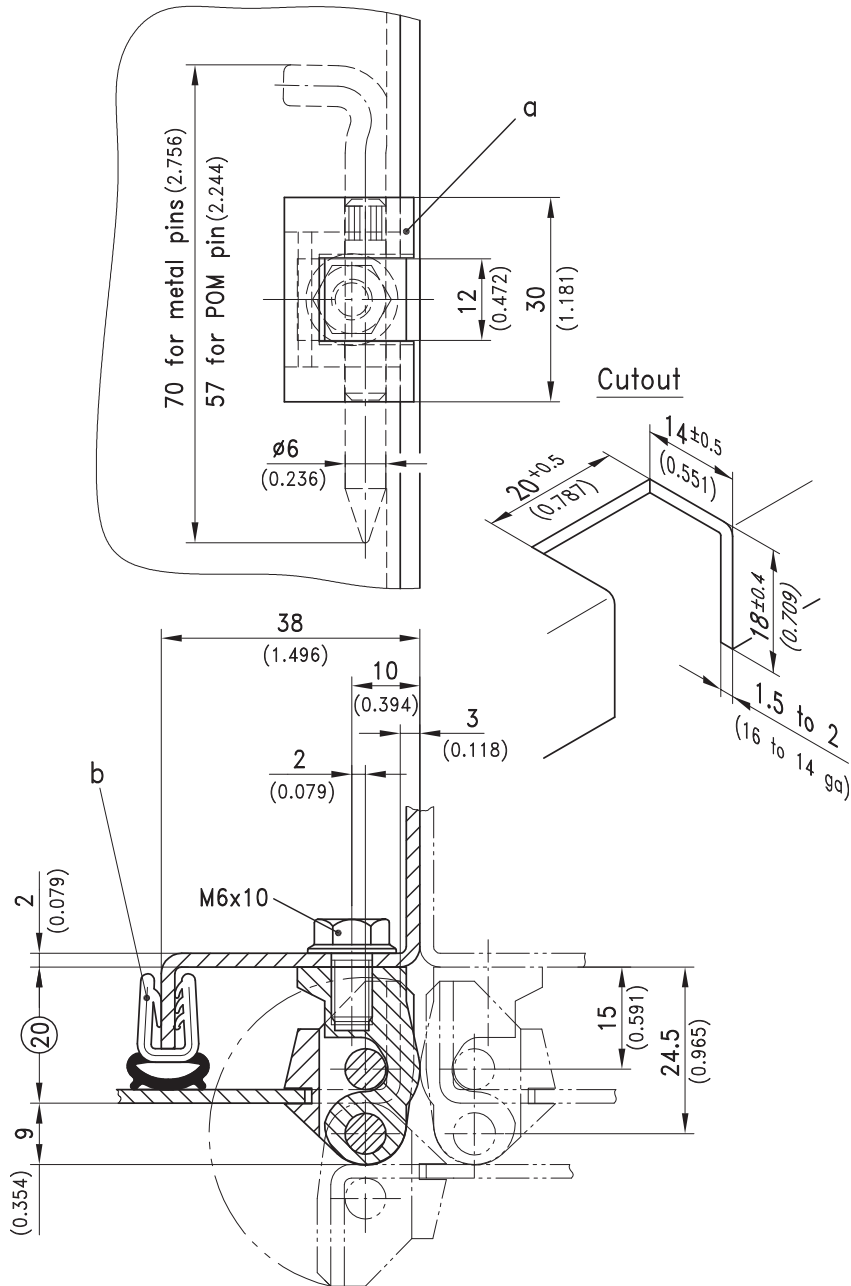


## Product Notes:

- RH and LH application
- 180° opening angle
- Accommodates adjacent cabinets
- The POM pin is self-securing
- Zinc die- see Product System 4-160

## Material:

- **Hinge leaves:** Stainless Steel AISI 316
- **Pin:** POM or Stainless Steel



180° Hinge		Part No.	See Page
a)	With pin, Stainless Steel	212-9701	
a1)	With pin, POM	212-9702	
b)	Clip-on profile	209-0201	05.12
Screws			10.22