

7-152SL Hinge Pr05 SNAP-LINE 180°

Tool-less installation, Surface mounted door, Stainless Steel, IP65,
Door bending 20mm

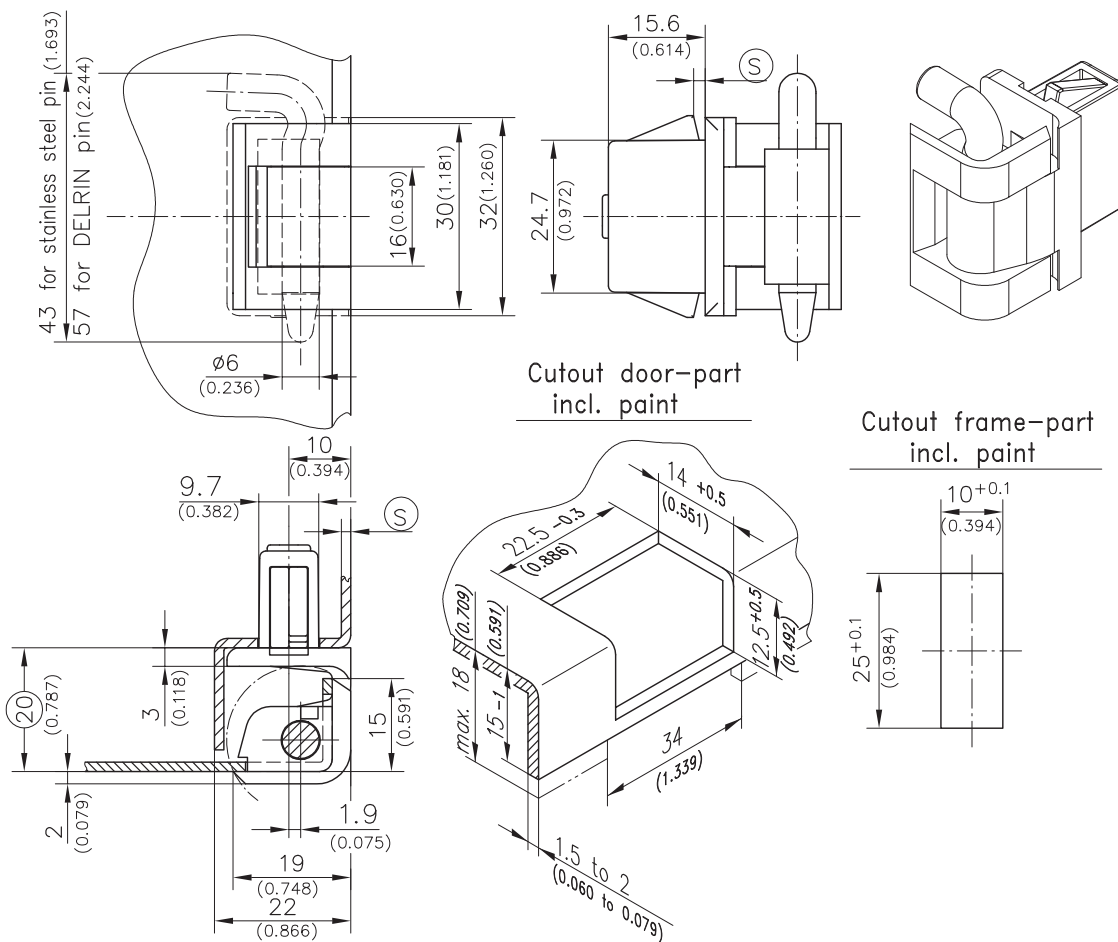
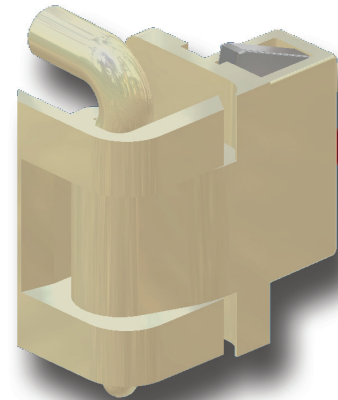


Product Notes:

- Use with single cabinet
- RH and LH application
- Frame leaf installed by simple push into the cutout
- Water and dust tight according to IP65, DIN EN 60529 with O-rings (not included)
- Zinc die - see Product System 4-152 and 4-152SL
- Other tool-less assembly - see Product System 4-152SL
- Other stainless steel - see Product System 7-132

Material:

- **Hinge leaves:** Stainless Steel AISI 316
- **Pin:** Stainless Steel AISI 316 or POM
- **Wings:** Stainless Steel
- **O-Ring:** NBR, Black



Cutout door-part incl. paint

Cutout frame-part incl. paint

180° Hinge

Clamping Range ⑤

Pin: Stainless Steel

Pin: POM,
Self-securing

See Page

1.2 - 1.7

412-9063.00-01217

412-9064.00-01217

1.7 - 2.2

412-9063.00-01722

412-9064.00-01722

Other ⑤ dimension on request

Optional:

Water- and dust-tight according to IP65 by:

O-ring 21x2mm

839-3770.40-02120

839-3770.40-02120

Cover for cutout 25x10mm

292-0403.06-09005

292-0403.06-09005

10.14

Cover for cutout 25x10mm

292-0403.06-07035

292-0403.06-07035

10.14

Tool for uninstallation

292-0306.80-02530

292-0306.80-02530

10.17