

7-132 Hinge Pr05 180°

Surface mounted door, Stainless Steel, Single cabinet, Door bending 20mm

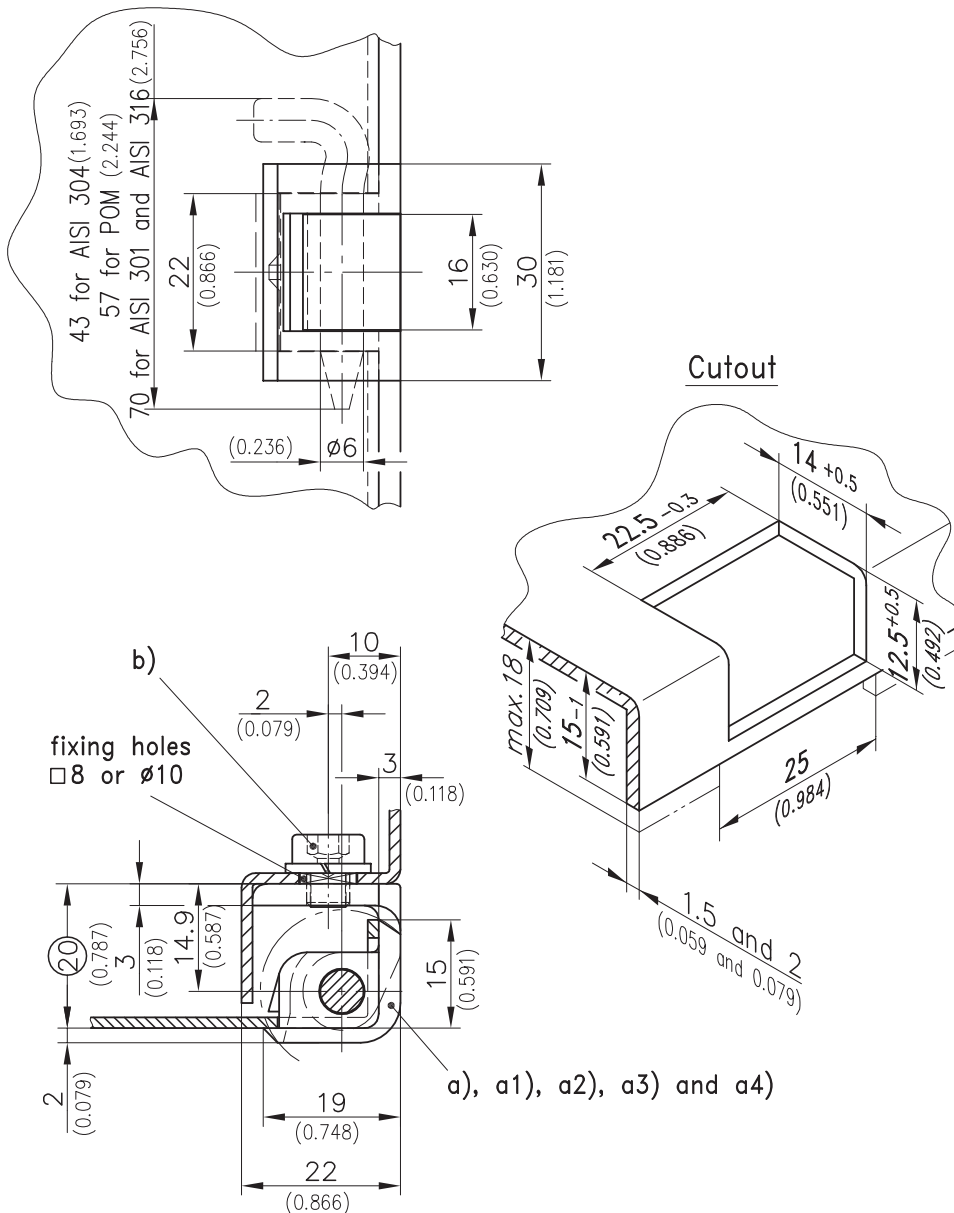
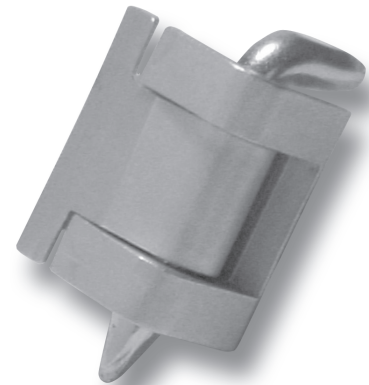


Product Notes:

- RH and LH application
- Fasten frame leaf to panel with M6 threaded square stub
- Installation from inside
- Closed cutout provides a stronger door bending.
- Tool-less installation - see Product System 4-152SL and 7-152SL
- Zinc die - see Product System 4-152 and 4-152SL

Material:

- **Hinge leaves:** Stainless Steel AISI 316
- **Pin:** Stainless Steel or POM



180° Hinge	Part No.	See Page
a) Door thickness 1.5mm/0.059 and pin-length 70mm/2.756 AISI 301	212-9707	
a1) Door thickness 1.5mm/0.059 and pin-length 70mm/2.756 AISI 316	212-9716	
a2) Door thickness 2mm/0.079 and pin-length 70mm/2.756 AISI 316	212-9714	
a3) Door thickness 2mm/0.079 and pin-length 43mm/1.693 AISI 304	212-9705	
a4) Door thickness 2mm/0.079 and pin-length 57mm/2.244 POM	212-9706	
b) Serrated screw M6x6	202-0606	10.22